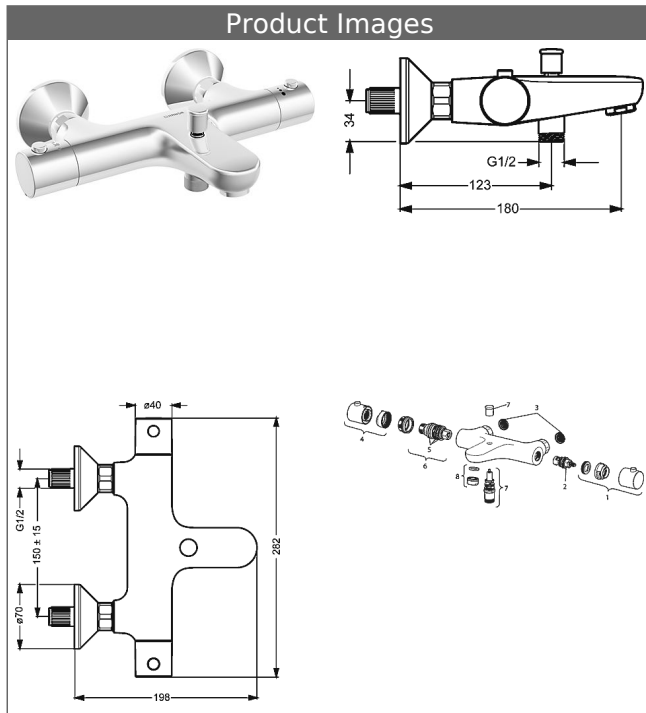


HANSAUNITA
thermostatic bath faucet, DN 15 (G1 /2)
 for wall-mounting
 with protection against scalding



Description

HANSAUNITA
 thermostatic bath faucet, DN 15 (G1 /2)
 for wall-mounting
 with protection against scalding

P-IX* (PA-IX submitted)
 flow rate: 20/19 l/min (spout/shower), at 3 bar hydraulic pressure

- body: DR brass (MS 63)
- THERMO COOL - function
- operating handles
- volume valve with ceramic discs
- water rate economy button
- safety stop against scalding at 38°C
- eccentric connections
- (-) centre distance: 150 ± 15 mm
- strainer and backflow preventer in connections
- protected against back-flow in domestic use (according to DIN EN 1717)

projection: 180 mm

HANSA 3.4 thermostate cartridge without volume control

Item No.: 59914114

Qty: 1


- (-) strainer
- (-) with wax element
- (-) not rising spindle

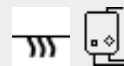
HANSA 3.4 thermostate cartridge without volume control

Item No.: 59914114

Qty: 1

- (-) strainer
- (-) with wax element
- (-) not rising spindle

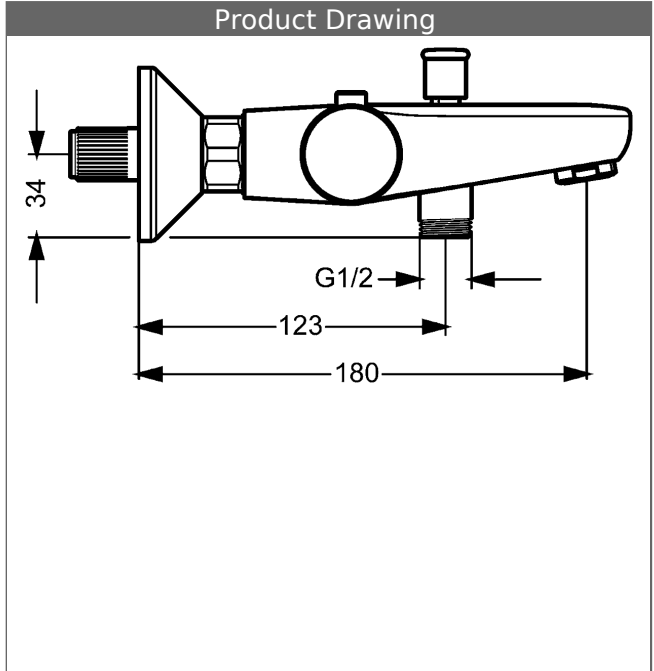
Model	Item No.
chrome	58372101 



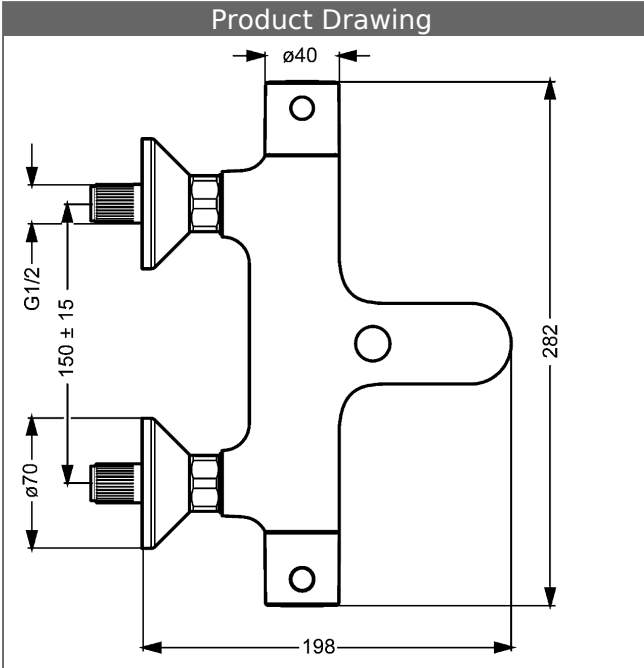
Product Image



Product Drawing



Product Drawing



Product Drawing

