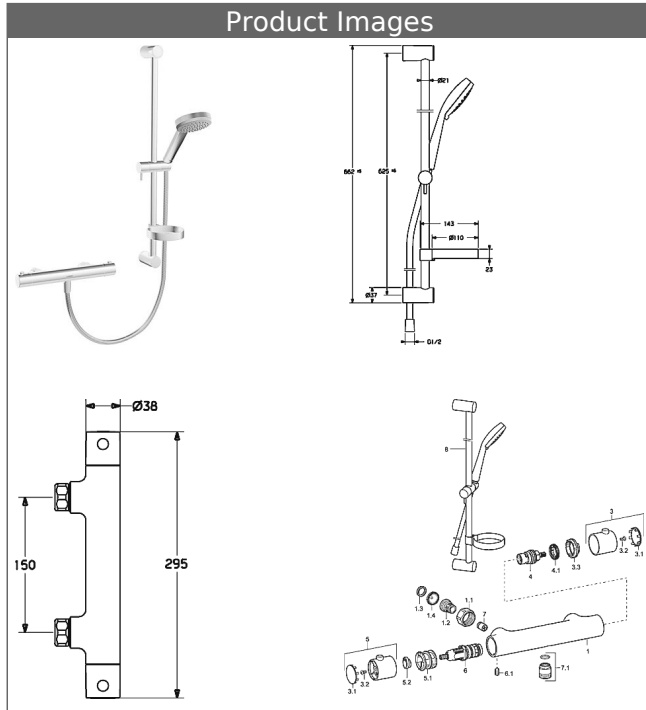


HANSAUNITA
shower renovation set
 with HANSAVIVA wall bar set 600 mm (4416 0110)



Description

HANSAUNITA
 shower renovation set
 with HANSAVIVA wall bar set 600 mm (4416 0110)

P-IX submitted
 flow rate: 12 l/min, at 3 bar hydraulic pressure

- consisting of:
- HANSAUNITA
- thermostatic shower faucet, DN 15 (G 1/2)
- for wall-mounting
- with protection against scalding
- body: DR brass (MS 63)
- THERMO COOL - function
- operating handles
- volume valve with ceramic discs
- water rate economy button
- safety stop against scalding at 38°C
- retrofittable temperature limiter at approximately 38 °C
- without eccentric connections
- strainer and backflow preventer in connections
- protected against back-flow in domestic use (according to DIN EN 1717)

HANSAVIVA
wall bar set 600 mm
 length can be shortened
 Item No.: 44160110

Qty: 1
 consisting of:
 wall bar 600 mm
 slide: swivelling
 height adjustment lockable
 shower bracket: adjustable
 fastening set
 shower hose, 1750 mm
 soap dish
 levelling of tiles
 HANSAVIVA hand shower, 100 mm
 (-) 1-spray
 (-) strainer
 limescale protection technology

HANSA 2.7 thermostat cartridge without volume control

Item No.: 59913823
 Qty: 1
 (-) strainer
 (-) with wax element
 (-) not rising spindle
 suitable for thermal disinfection DVGW W 551 with non-assembled temperature locking

HANSA 2.7 thermostat cartridge without volume control

Item No.: 59913823
 Qty: 1
 (-) strainer

(-) with wax element
(-) not rising spindle
suitable for thermal disinfection DVGW W 551 with
non-assembled temperature locking

Model	Item No.	
chrome	48130021	