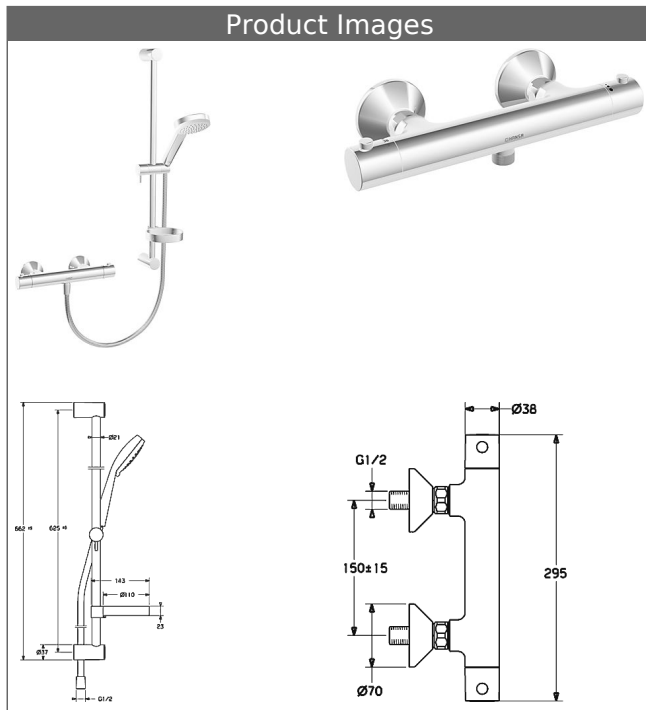


**HANSAUNITA**  
**shower renovation set**  
 with HANSAVIVA wall bar set 600 mm (4416 0110)



**Description**

**HANSAUNITA**  
 shower renovation set  
 with HANSAVIVA wall bar set 600 mm (4416 0110)

flow rate: 12 l/min, at 3 bar hydraulic pressure

- consisting of:
- HANSAUNITA
- thermostatic shower faucet, DN 15 (G 1/2)
- for wall-mounting
- with protection against scalding
- body: DR brass (MS 63)
- THERMO COOL - function
- operating handles
- volume valve with ceramic discs
- water rate economy button
- safety stop against scalding at 38°C
- retrofittable temperature limiter at approximately 38 °C
- eccentric connections
- (-) centre distance: 150 ± 15 mm
- strainer and backflow preventer in connections
- protected against back-flow in domestic use (according to DIN EN 1717)

**HANSAVIVA**  
**wall bar set 600 mm**

length can be shortened

Item No.: 44160110

Qty: 1

- consisting of:
- wall bar 600 mm
- slide: swivelling
- height adjustment lockable
- shower bracket: adjustable
- fastening set
- shower hose, 1750 mm
- soap dish
- levelling of tiles
- HANSAVIVA hand shower, 100 mm
- (-) 1-spray
- (-) strainer
- limescale protection technology

**HANSA 2.7 thermostat cartridge without volume control**

Item No.: 59913823

Qty: 1

- (-) strainer
- (-) with wax element
- (-) not rising spindle
- suitable for thermal disinfection DVGW W 551 with non-assembled temperature locking

**HANSA 2.7 thermostat cartridge without volume control**

Item No.: 59913823

Qty: 1

- (-) strainer

(-) with wax element  
(-) not rising spindle  
suitable for thermal disinfection DVGW W 551 with  
non-assembled temperature locking

Model	Item No.	
chrome	48130121	