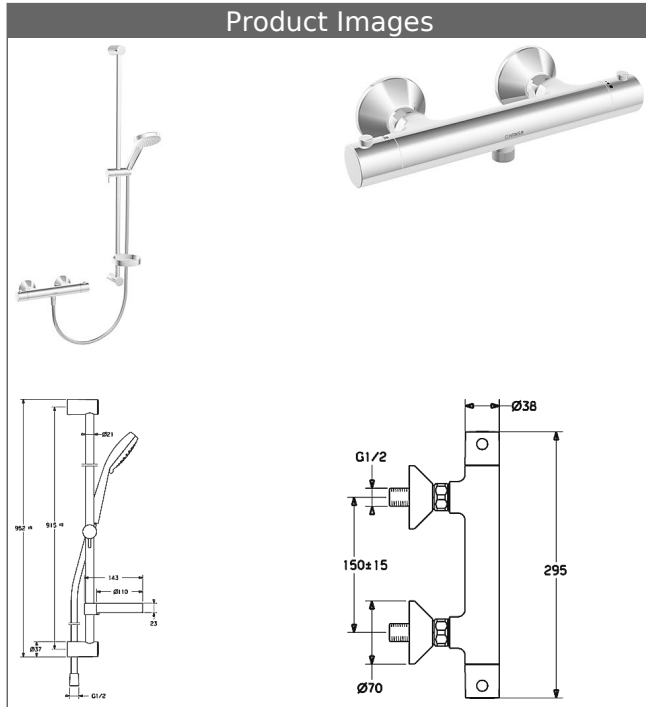


**HANSAUNITA**  
**shower renovation set**  
 with HANSAVIVA wall bar set 900 mm (4415 0130)



**Description**

**HANSAUNITA**  
 shower renovation set  
 with HANSAVIVA wall bar set 900 mm (4415 0130)

flow rate: 12 l/min, at 3 bar hydraulic pressure

- consisting of:
- HANSAUNITA
- thermostatic shower faucet, DN 15 (G 1/2)
- for wall-mounting
- with protection against scalding
- body: DR brass (MS 63)
- THERMO COOL - function
- operating handles
- volume valve with ceramic discs
- water rate economy button
- safety stop against scalding at 38°C
- retrofittable temperature limiter at approximately 38 °C
- eccentric connections
- (-) centre distance: 150 ± 15 mm
- strainer and backflow preventer in connections
- protected against back-flow in domestic use (according to DIN EN 1717)

**HANSAVIVA**  
**wall bar set 900 mm**  
 length can be shortened  
 Item No.: 44150130

Qty: 1  
 consisting of:  
 wall bar 900 mm  
 slide: swivelling  
 height adjustment lockable  
 shower bracket: adjustable  
 fastening set  
 shower hose, 1750 mm  
 soap dish  
 levelling of tiles  
 HANSAVIVA hand shower, 100 mm  
 (-) 3-spray  
 (-) strainer  
 limescale protection technology

**HANSA 2.7 thermostat cartridge without volume control**

Item No.: 59913823  
 Qty: 1  
 (-) strainer  
 (-) with wax element  
 (-) not rising spindle  
 suitable for thermal disinfection DVGW W 551 with non-assembled temperature locking

**HANSA 2.7 thermostat cartridge without volume control**

Item No.: 59913823  
 Qty: 1  
 (-) strainer

(-) with wax element  
(-) not rising spindle  
suitable for thermal disinfection DVGW W 551 with  
non-assembled temperature locking

<b>Model</b>	<b>Item No.</b>	
chrome	48130131	