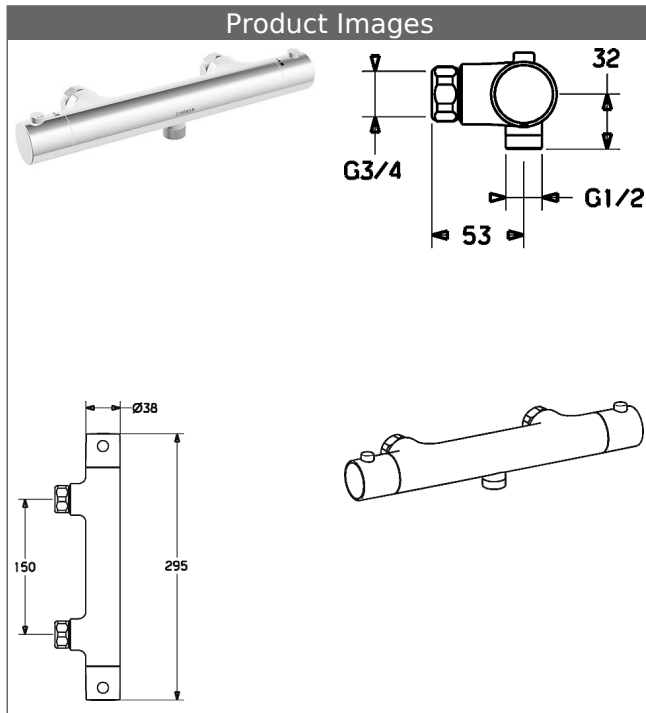


HANSAUNITA
thermostatic shower faucet, DN 15 (G 1/2)
 for wall-mounting
 with protection against scalding



Description

HANSAUNITA
 thermostatic shower faucet, DN 15 (G 1/2)
 for wall-mounting
 with protection against scalding

PA-IX 19654/IB
 flow rate: 19 l/min, at 3 bar hydraulic pressure

- body: DR brass (MS 63)
- THERMO COOL - function
- operating handles
- volume valve with ceramic discs
- water rate economy button
- safety stop against scalding at 38°C
- retrofittable temperature limiter at approximately 38 °C
- without eccentric connections
- strainer and backflow preventer in connections
- protected against back-flow in domestic use (according to DIN EN 1717)

HANSA 2.7 thermostat cartridge without volume control

Item No.: 59913823

Qty: 1

(-) strainer

(-) with wax element

(-) not rising spindle

suitable for thermal disinfection DVGW W 551 with non-assembled temperature locking

HANSA 2.7 thermostat cartridge without volume control

Item No.: 59913823


Qty: 1

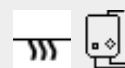
(-) strainer

(-) with wax element

(-) not rising spindle

suitable for thermal disinfection DVGW W 551 with non-assembled temperature locking

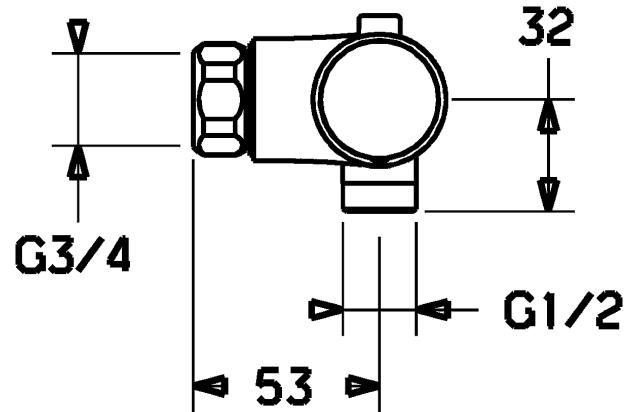
Model	Item No.	
chrome	58130001	



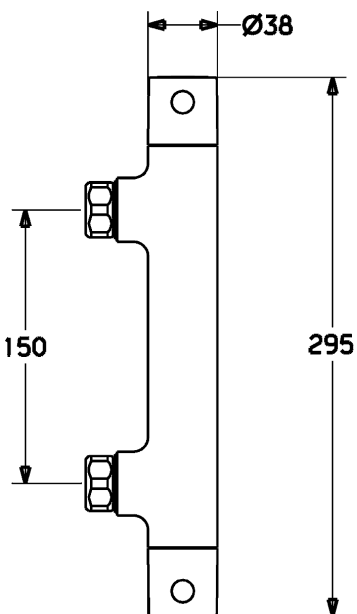
Product Image



Product Drawing



Product Drawing



Product Drawing

