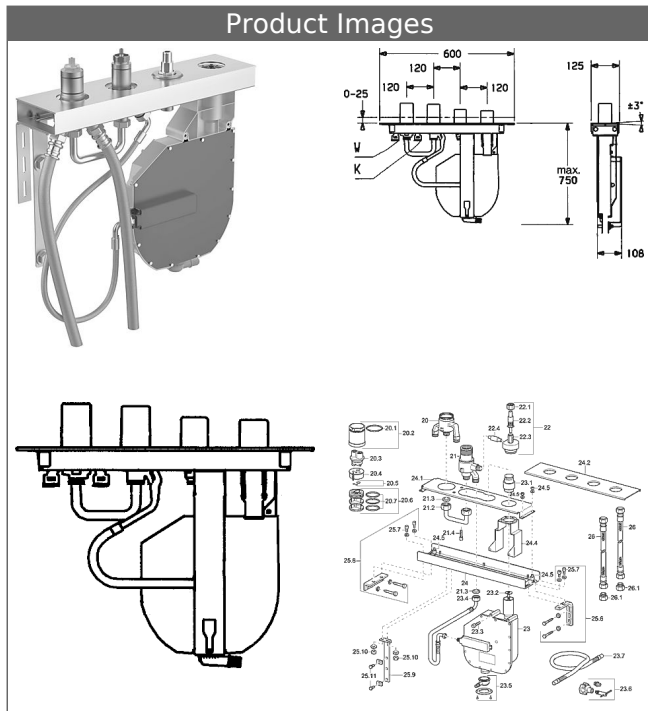



**HANSACOMPACT wall-mounted and renovation unit
for 4-hole tiled rim assembly with installation unit, DN 20
for pillar spout, DN 20
with connection hoses G 3/4
can be assembled with all 4-hole trim kits**



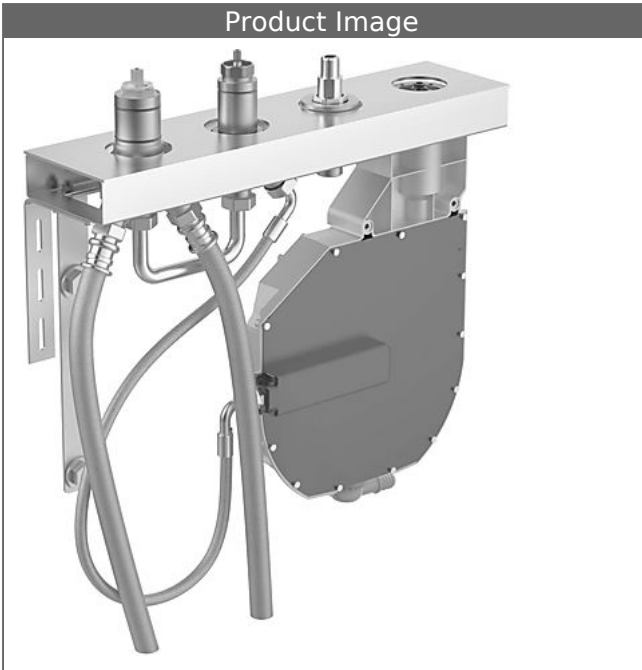
Description

HANSACOMPACT wall-mounted and renovation unit
for 4-hole tiled rim assembly with installation unit, DN 20
for pillar spout, DN 20
with connection hoses G 3/4
can be assembled with all 4-hole trim kits

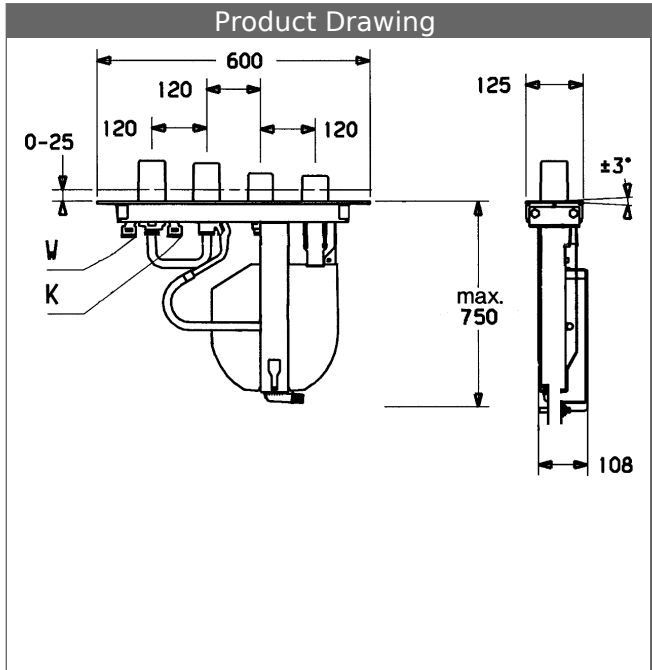
- installation frame pre-assembled with:
- installation unit: DR brass (MS 63)
- installation unit for pillar bathtub spout
- rinsing and pressure plug
- ROLLBOX with automatic hose rewind
- (-) water leakage drain in ROLLBOX with backflow protection
- tapping sleeve for bathtub overflows (not necessary with HANSAFILL)
- set of flexible hoses G 3/4 x G 3/4, (2 x 1000 mm)
- for wall-mounting or for replacing older rim-mounted fittings
- protected against back-flow in domestic use (according to DIN EN 1717)

Model	Item No.	
chrome	53080200	

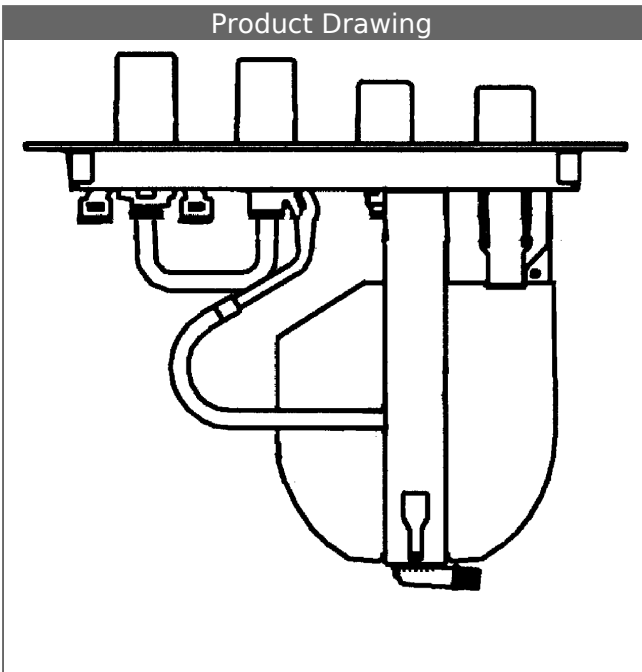
Product Image



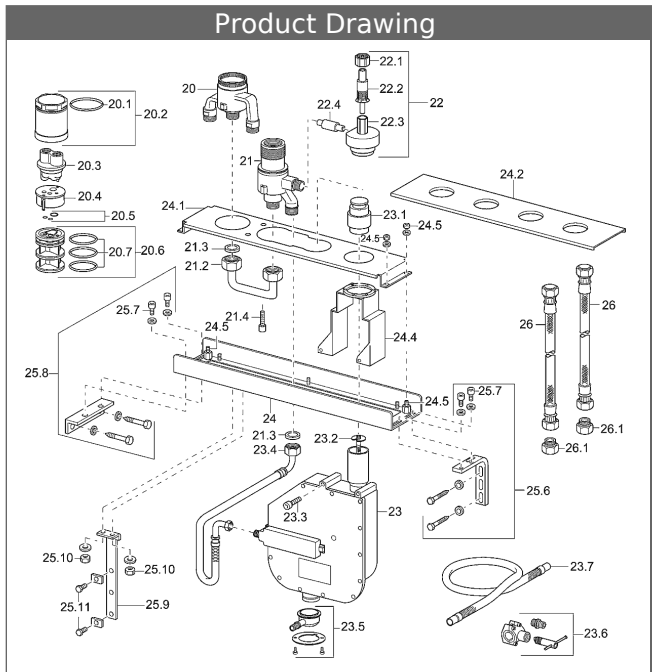
Product Drawing



Product Drawing



Product Drawing



Related Products

Image:	Description:	Model / Item No.:
	decorative plate for HANSACOMPACT 4-hole wall and renovation solution 5308	chrome 53230000