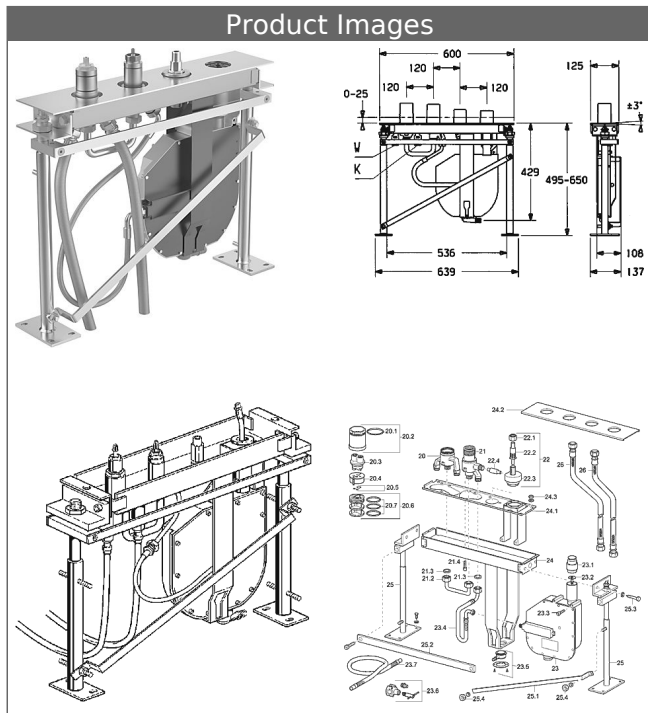


## HANSACOMPACT 4-hole rim-mounted installation unit for pillar spout, DN 20 for pillar mounting


installation depth: continuously adjustable from 495-650 mm  
with flexible hose G 3/4 x G 3/4, 1000 mm  
can be assembled with all 4-hole trim kits



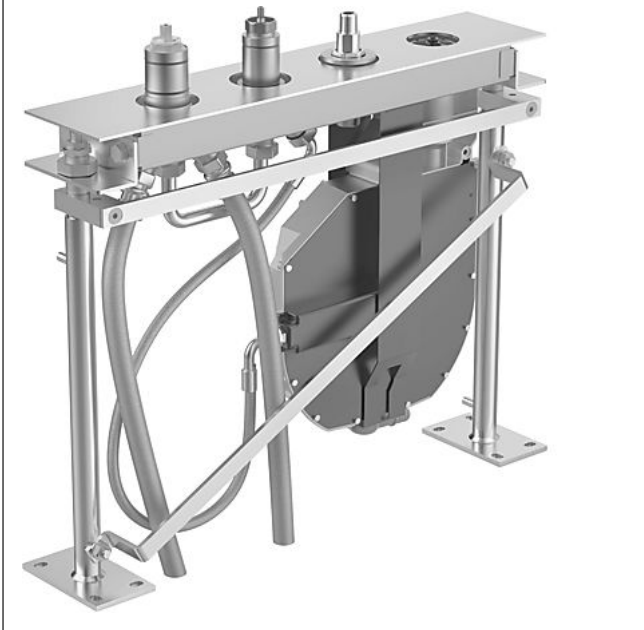
### Description

HANSACOMPACT 4-hole rim-mounted installation unit  
for pillar spout, DN 20  
for pillar mounting  
installation depth: continuously adjustable from 495-650 mm  
with flexible hose G 3/4 x G 3/4, 1000 mm  
can be assembled with all 4-hole trim kits

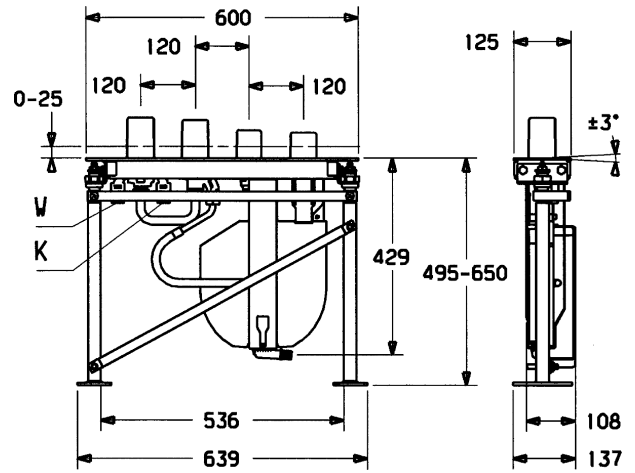
- installation frame pre-assembled with:
- body: DR brass (MS 63)
- support system for stand-alone mounting in tiled rim
- (-) height and angle adjustable
- rinsing and pressure plug
- ROLLBOX with automatic hose rewind
- (-) water leakage drain in ROLLBOX with backflow protection
- tapping sleeve for bathtub overflows (not necessary with HANSAFILL)
- stainless steel tiling plate
- protected against back-flow in domestic use (according to DIN EN 1717)

Model	Item No.	
chrome	53020200	

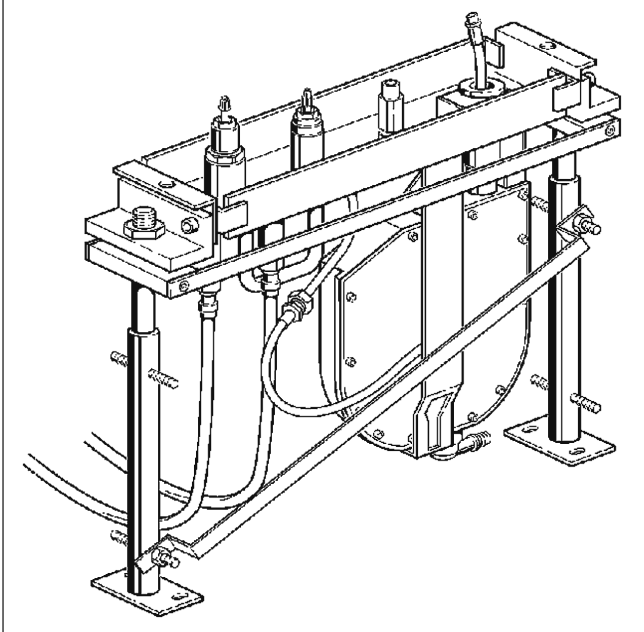
Product Image



Product Drawing



Product Drawing



Product Drawing

