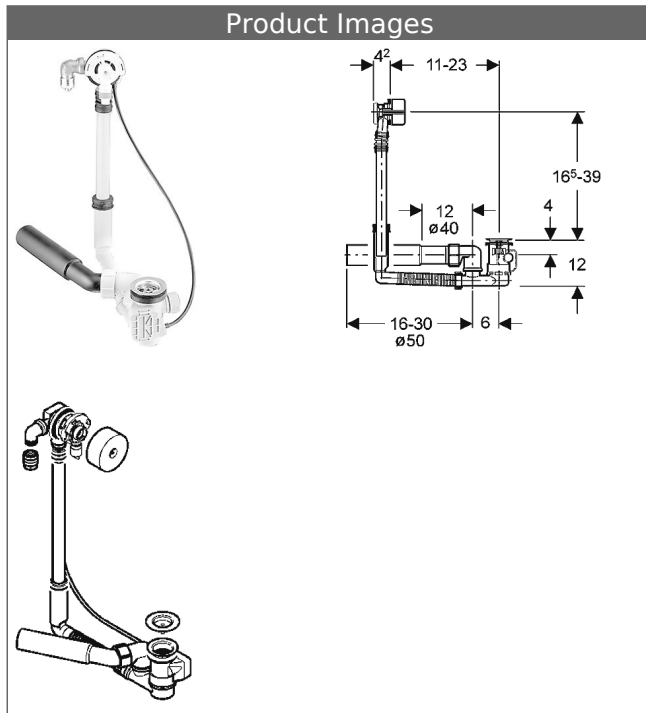


HANSAFILL tub filler and drain assembly installation set


for cast bathtubs, steel and plastic
DIN 19545 approved, noise reduction class I



Description

HANSAFILL tub filler and drain assembly installation set
for cast bathtubs, steel and plastic
DIN 19545 approved, noise reduction class I

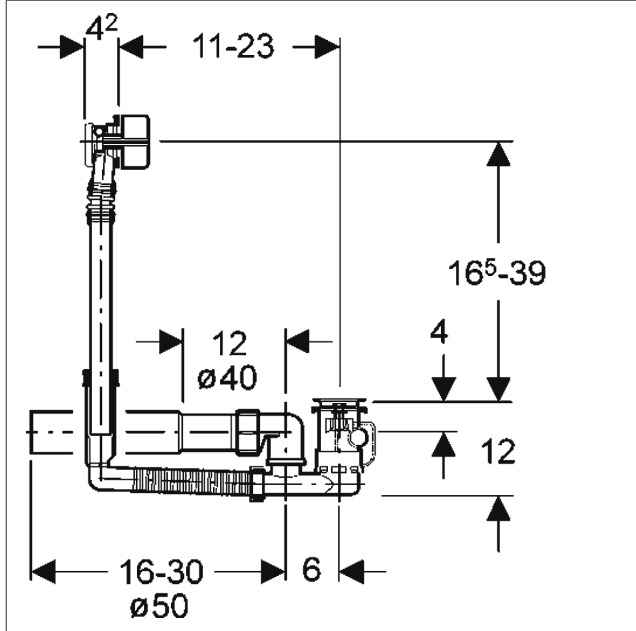
- consisting of:
- pop-up waste stainless steel
- (-) with 360° swivelling trap
- revolable PE-HD drain pipe DN 32/40 (40/50 mm)
- with overflow
- bowden cable, chrome-nickel steel
- overflow rosette, revolving
- vertical spout
- connecting thread, G 3/4 exterior
- separate connection for DN 20 water waste hose
- without pipe interrupter

Model	Item No.
	05160100 

Product Image



Product Drawing



Product Drawing

