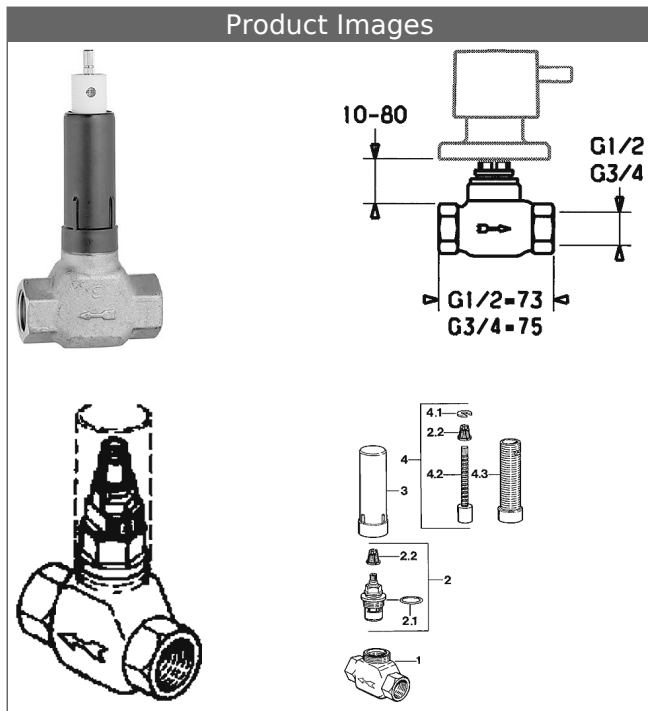


HANSA concealed valve with ceramic discs

G 3/4 threaded connection



Description

HANSA concealed valve with ceramic discs
G 3/4 threaded connection

flow rate: up to 48 l/min

- body: DR brass (MS 63)
- ceramic disc headpart, DN 20
- installation unit with threaded connector DN 20 (G 3/4)
- installation depth 10-80 mm
- leak water protective sleeve

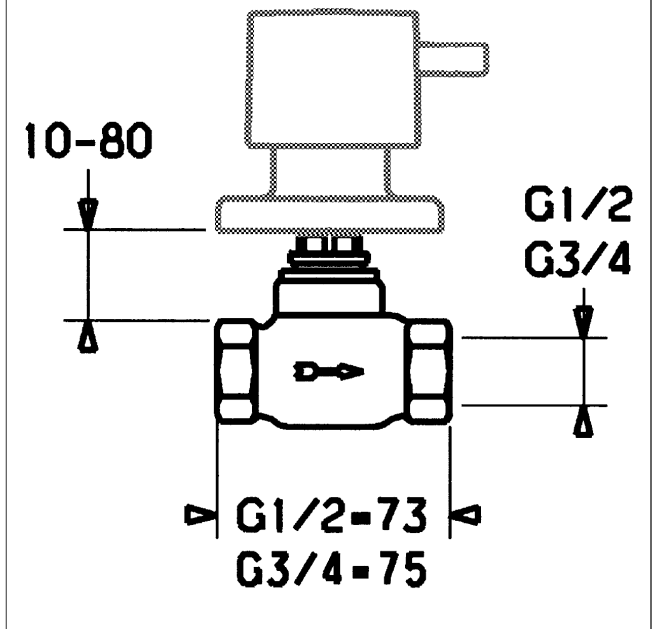
Model	Item No.
	02260100



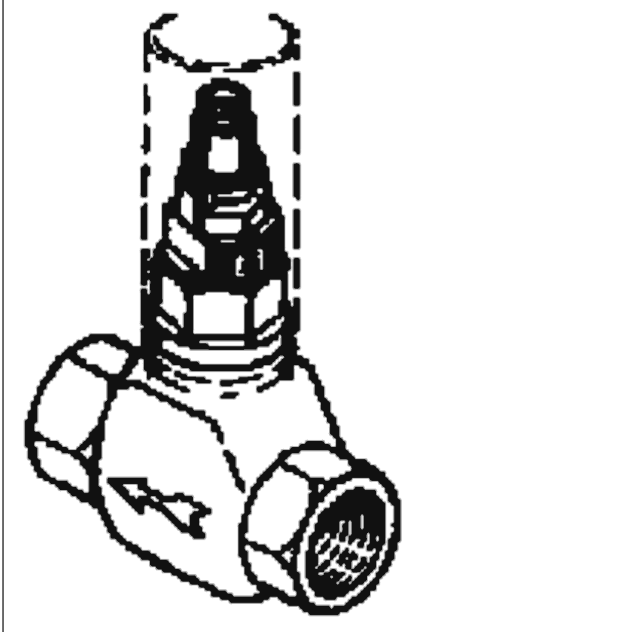
Product Image



Product Drawing



Product Drawing



Product Drawing

