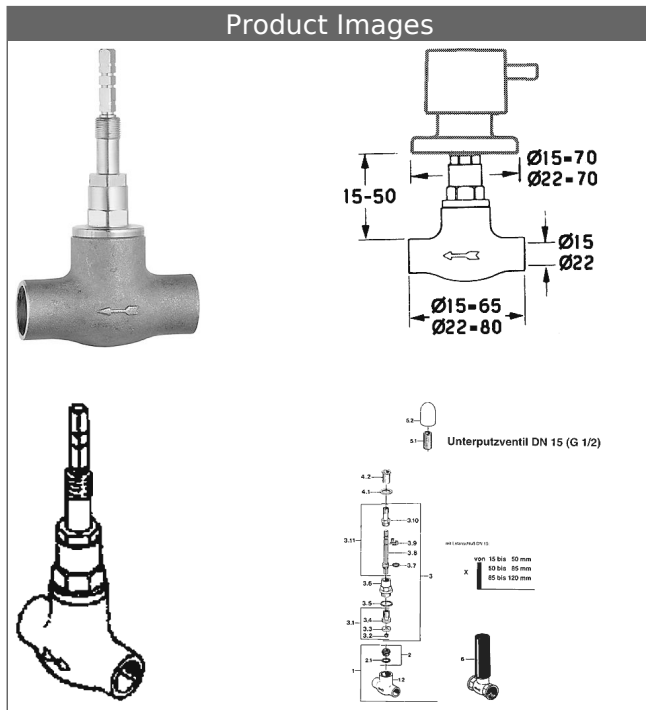


Hansa concealed valve with Präzisa spindle headpart soldered connection DN 15 (15 mm)




Description

Hansa concealed valve with Präzisa spindle headpart
soldered connection
DN 15 (15 mm)

flow rate: up to 30 l/min

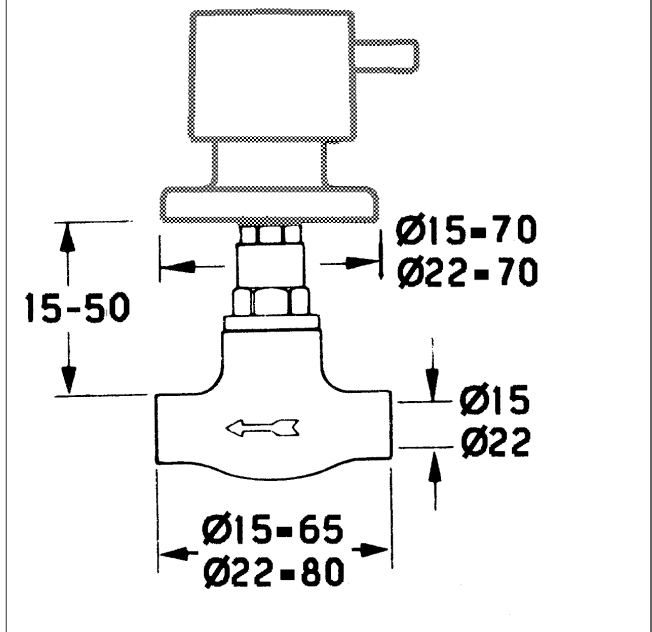
- body: DR brass (MS 63)
- Präzisa spindle headpart
- exchangeable valve seat
- installation depth: 20-55 mm (solder connection)

Model	Item No.
	02300100 

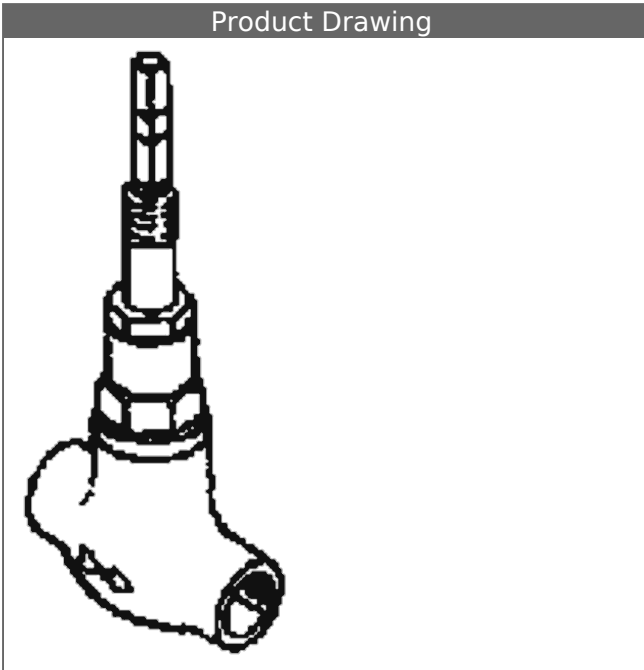
Product Image



Product Drawing



Product Drawing



Product Drawing

