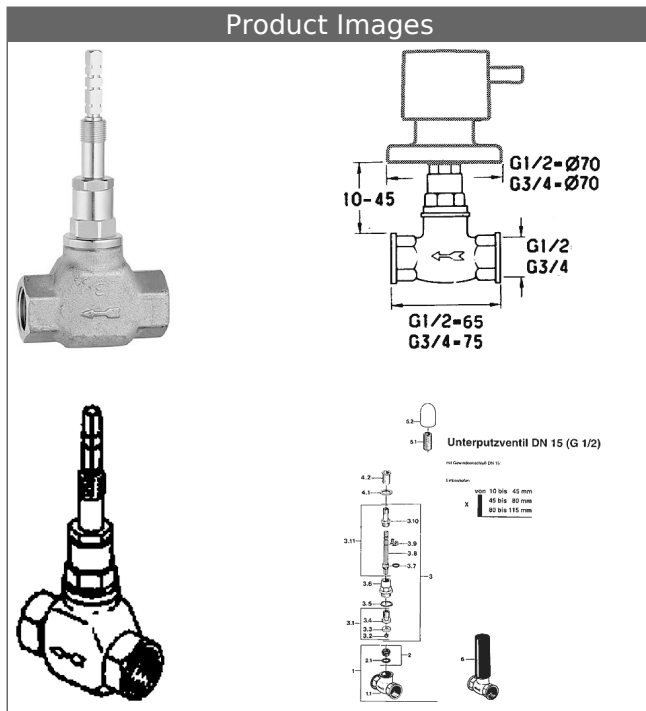


Hansa concealed valve with Präzisa spindle headpart G 1/2 threaded connection




Description

Hansa concealed valve with Präzisa spindle headpart
G 1/2 threaded connection

flow rate: up to 30 l/min

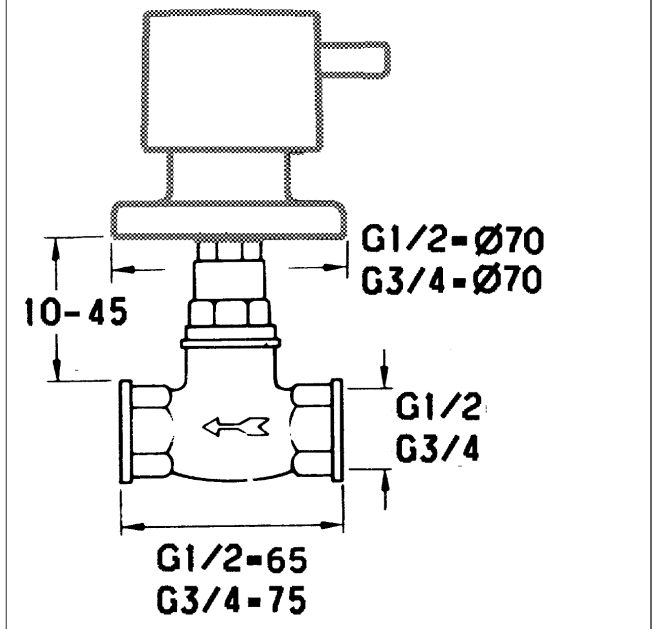
- body: DR brass (MS 63)
- Präzisa spindle headpart
- exchangeable valve seat
- installation depth: 10-45 mm

Model	Item No.
	02200100 

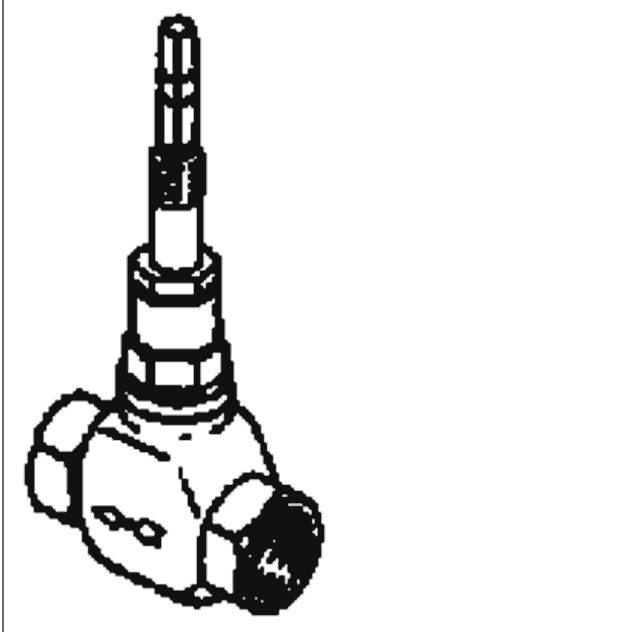
Product Image



Product Drawing



Product Drawing



Product Drawing

