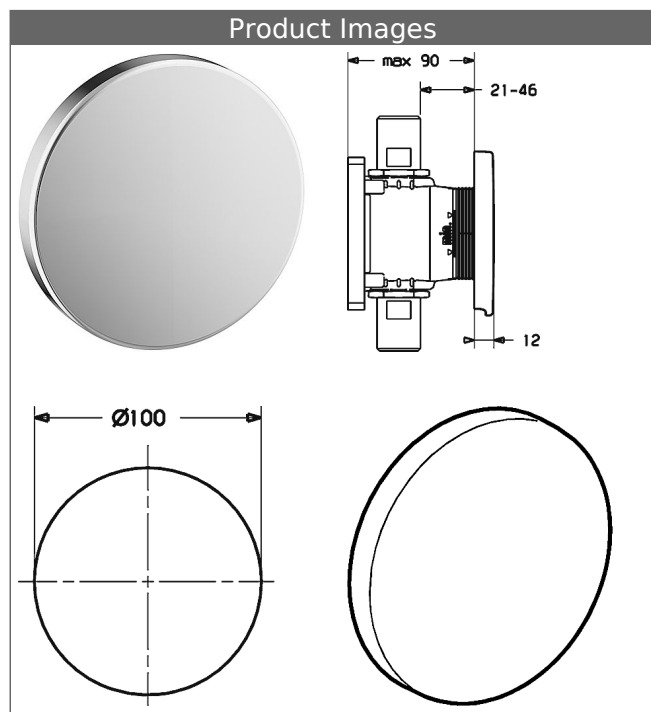



HANSA trim kit Pipe interrupter



Description

HANSA
trim kit
Pipe interrupter

- trim kit consisting of:
- round rosette, Ø 100 mm
- trim plate frame
- DVGW in preparation

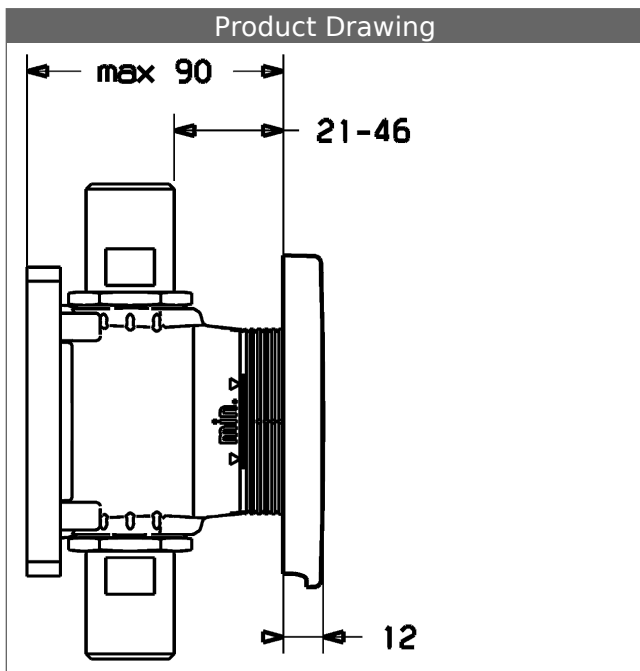
Model	Item No.
chrome	44820000 

suitable for installation unit 4480 0000

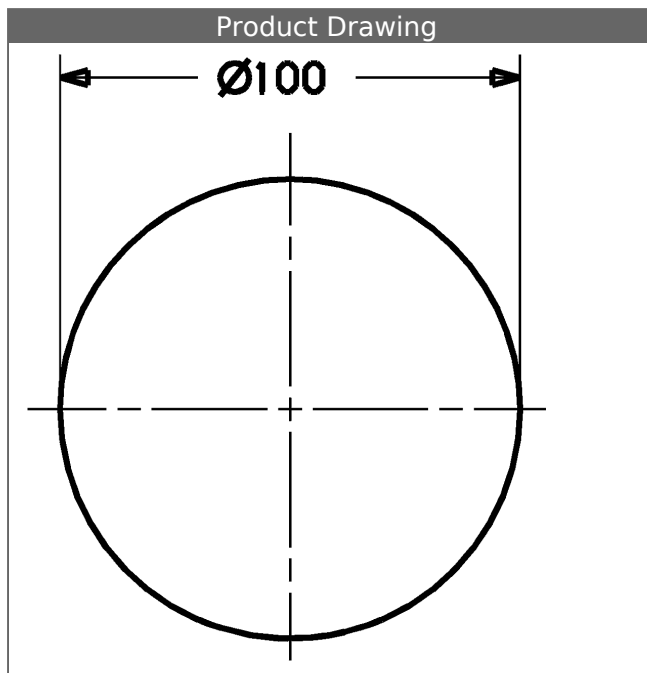
Product Image



Product Drawing



Product Drawing



Product Drawing

