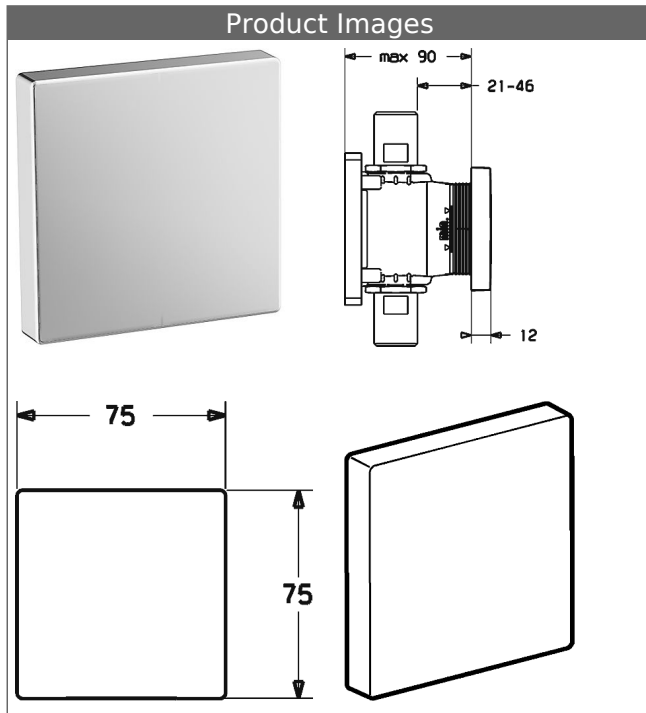


HANSA
trim kit
Pipe interrupter
 also compatible with HANSAMATRIX



Description

HANSA
 trim kit
 Pipe interrupter
 also compatible with HANSAMATRIX

- trim kit consisting of:
- square rosette , 75x75mm
- trim plate frame
- DVGW in preparation

Model	Item No.
chrome	44810000 M

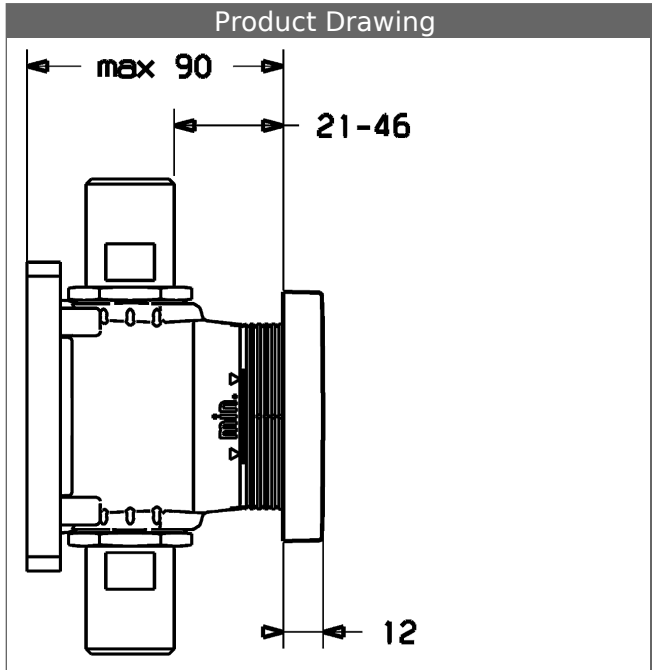
suitable for installation unit 4480 0000



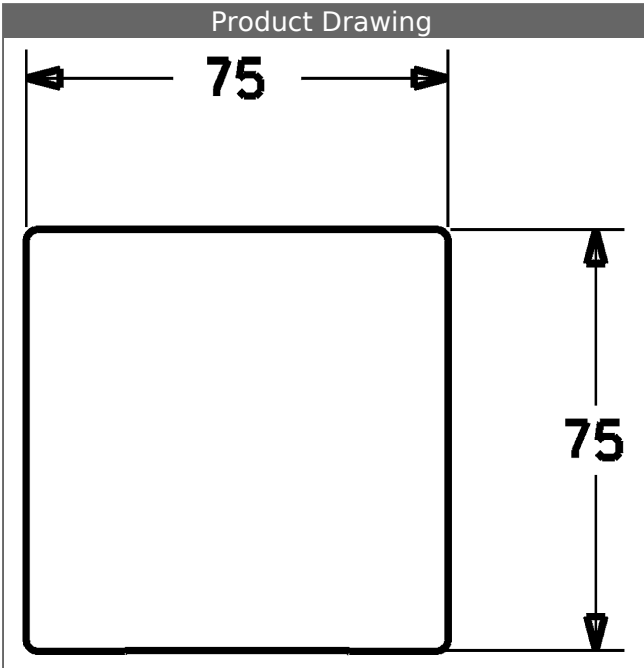
Product Image



Product Drawing



Product Drawing



Product Drawing

