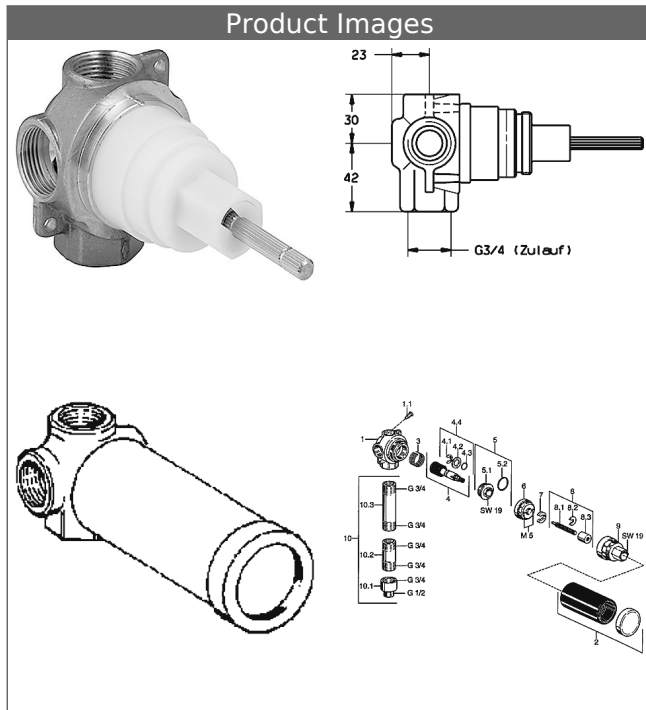


**HANSA**  
**concealed installation unit**  
 without volume control  
 for multi-way diverter G 3/4, DN 20




**Description**

HANSA  
 concealed installation unit  
 without volume control  
 for multi-way diverter G 3/4, DN 20

flow rate: 78 l/min (outlet), at 3 bar hydraulic pressure

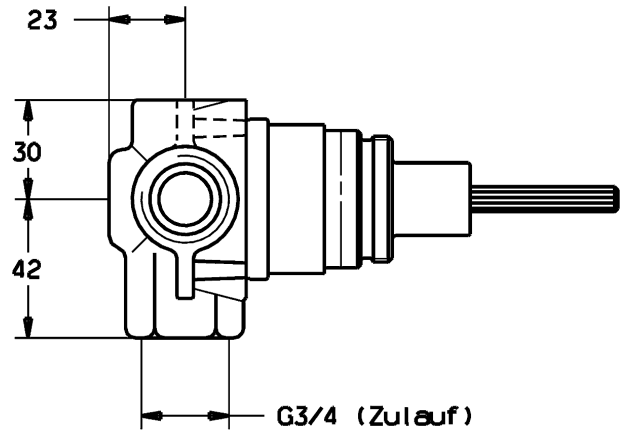
- body: DR brass (MS 63)
- 1 mixed water inlet, G 3/4 female thread
- 3 outlets, G 3/4 female thread
- snap-on connection for each outlet
- 2 outlets, no bypass screw, outlet on left
- without volume control
- installation depth: 35.5-70.5 mm
- diverter and protection cover
- with rubber plug
- threaded nipple G 3/4, 60 mm and 100 mm
- reducing fitting G 3/4, G 1/2
- leak water protective sleeve

Model	Item No.
	02850100 

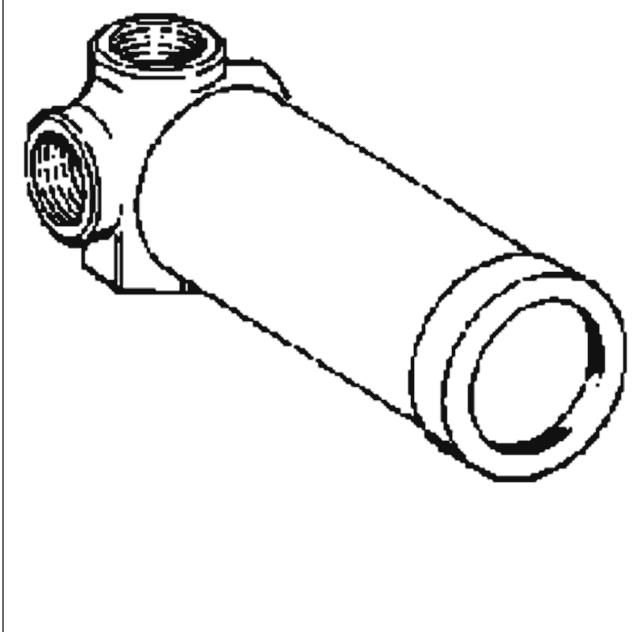
Product Image



Product Drawing



Product Drawing



Product Drawing

