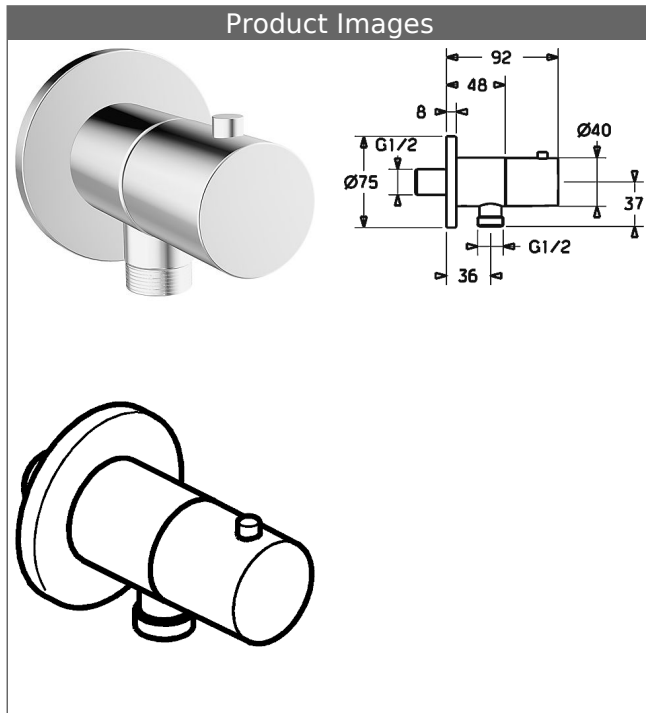



HANSA
wall connection elbow, DN 15
with integrated stop
 can also be used as an angle valve



Description

HANSA
 wall connection elbow, DN 15
 with integrated stop
 can also be used as an angle valve

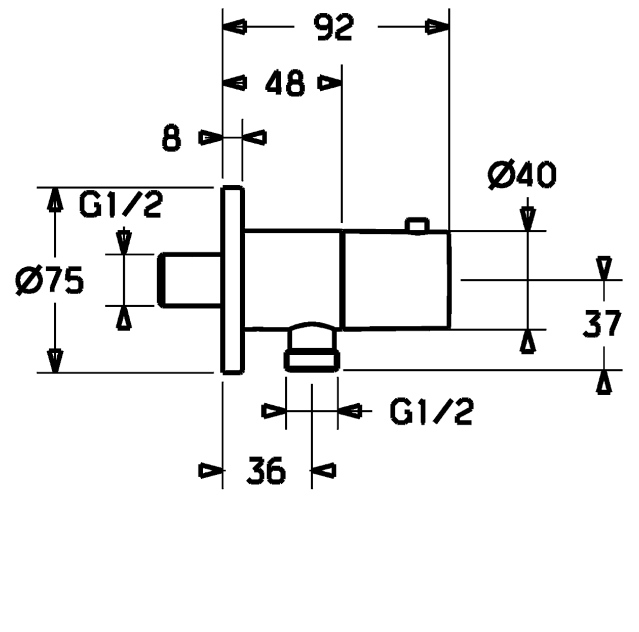
- connection G 1/2
- (-) 2-parts for plugging
- hose connection G 1/2
- service stops: ceramic disc headpart
- operating handle
- protected against back-flow in domestic use (according to DIN EN 1717)

Model	Item No.
chrome	51570173 

Product Image



Product Drawing



Product Drawing

