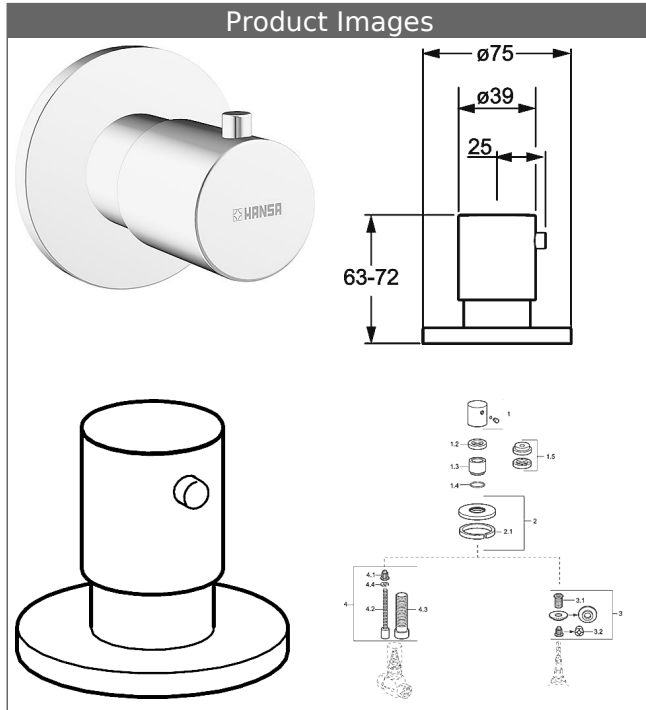


HANSA trim kit


suitable for concealed valves with ceramic or spindle head part



Description

HANSA
trim kit
suitable for concealed valves with ceramic or spindle
head part

- for volume control valves
- for multi-way diverter 0295 0100
- consisting of:
 - operating handle, thermally insulated
 - (-) neutral
 - rosette

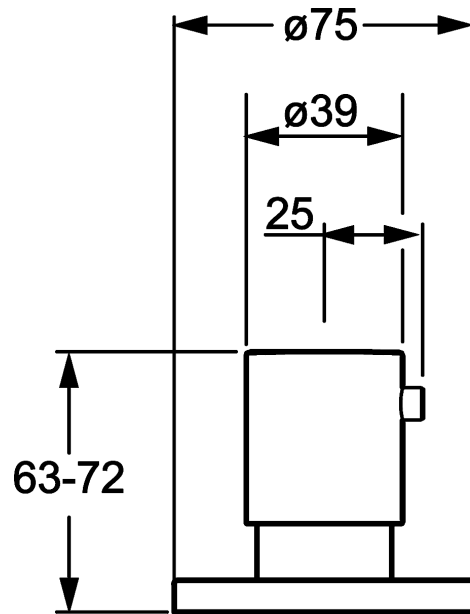
Model	Item No.	
chrome	06289105	

For the complete unit please order separately trim kit
and concealed base unit

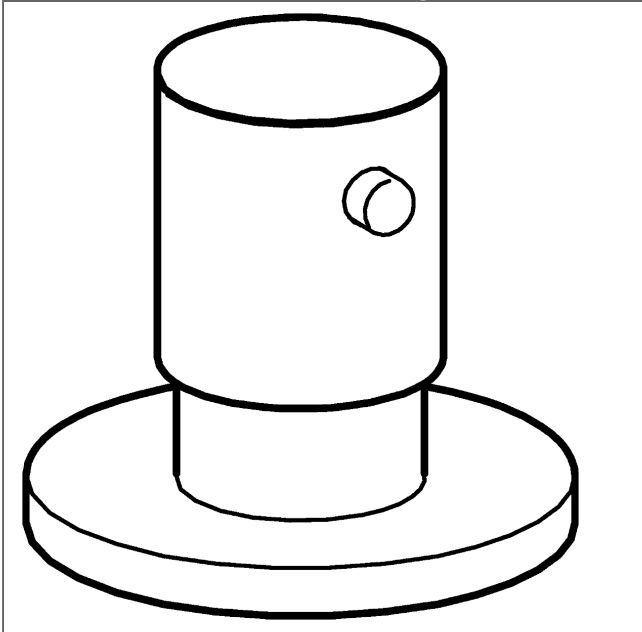
Product Image



Product Drawing



Product Drawing



Product Drawing

