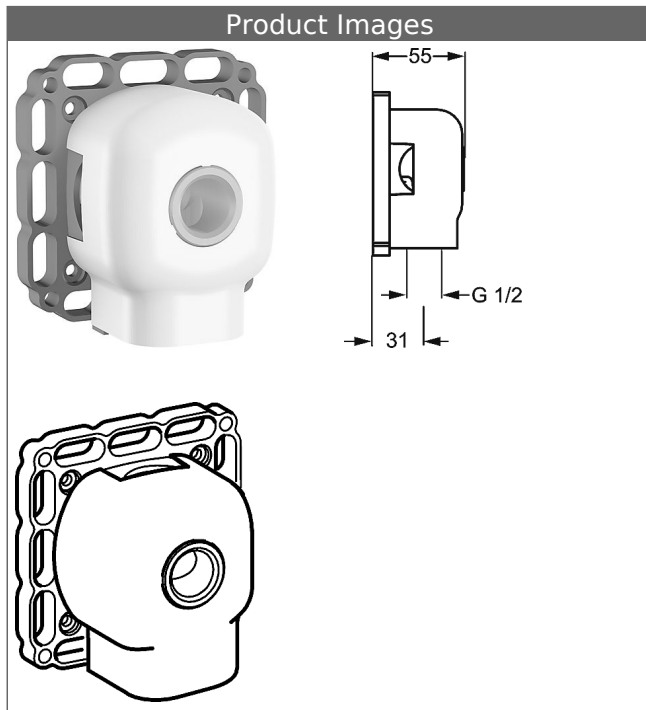


HANSAMATRIX concealed installation unit, DN 15 (G 1/2) connection angle



Description

HANSAMATRIX
concealed installation unit, DN 15 (G 1/2)
connection angle

- female thread, G 1/2
- body: DR brass (MS 63)
- multifix fastening system
- insulating pack, styrofoam

Model

Item No.

44040000



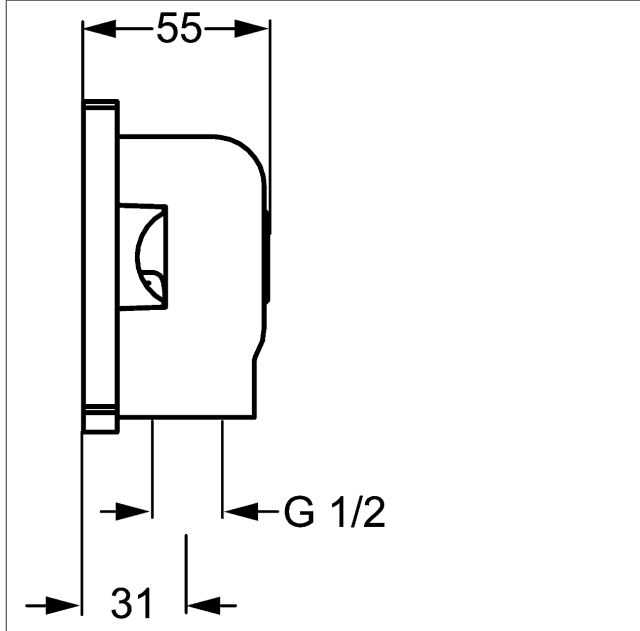
Application with the HANSAMATRIX assembly rail or also
for all standard circuit points DN 15



Product Image



Product Drawing



Product Drawing

