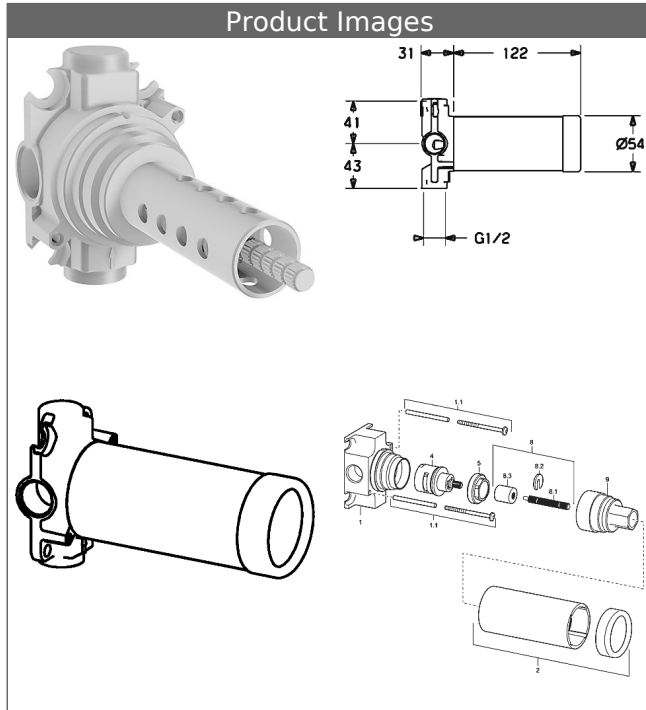


HANSA
concealed installation unit
 for multi-way diverter G 1/2, DN 15




Description

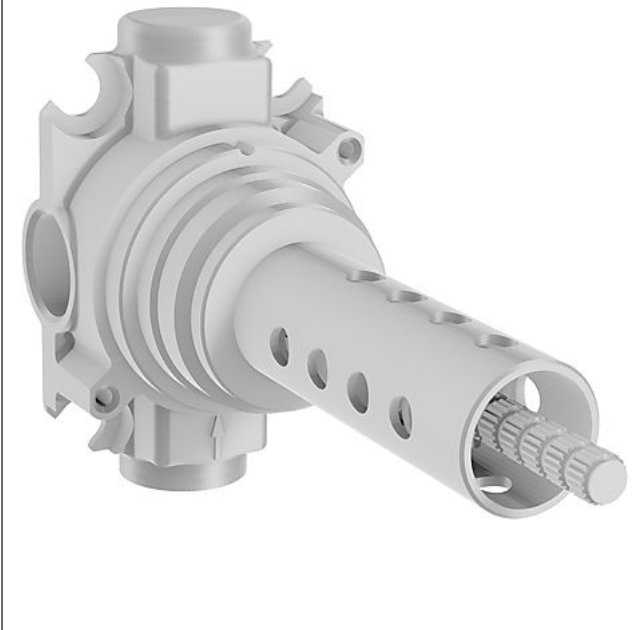
HANSA
 concealed installation unit
 for multi-way diverter G 1/2, DN 15

flow rate: 40 l/min (outlet), at 3 bar hydraulic pressure

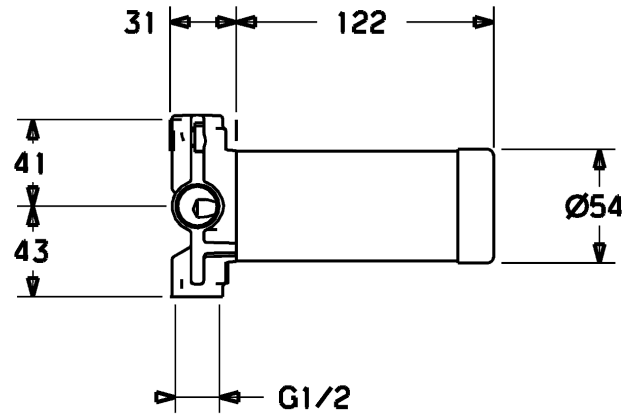
- body: DR brass (MS 63)
- 1 mixed water inlet, G1/2
- 2 outlets, G1/2 internal thread
- diverter and protection cover
- ceramic discs
- with integrated water volume control
- with integrated stop

Model	Item No.
	02950100 

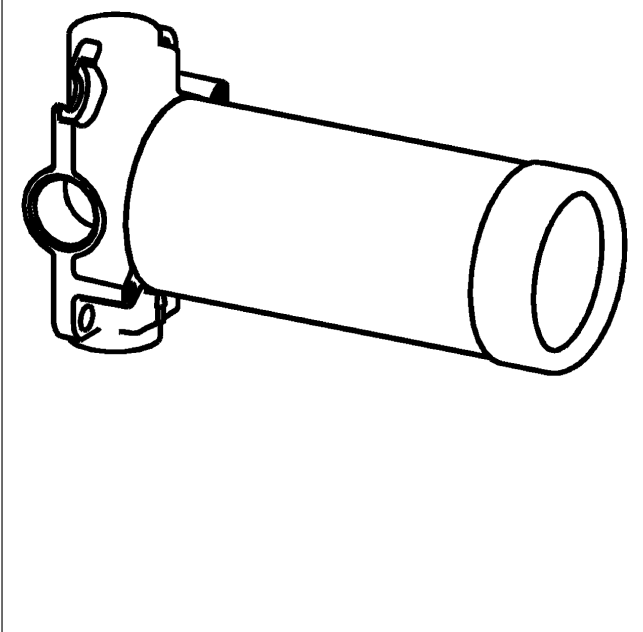
Product Image



Product Drawing



Product Drawing



Product Drawing

