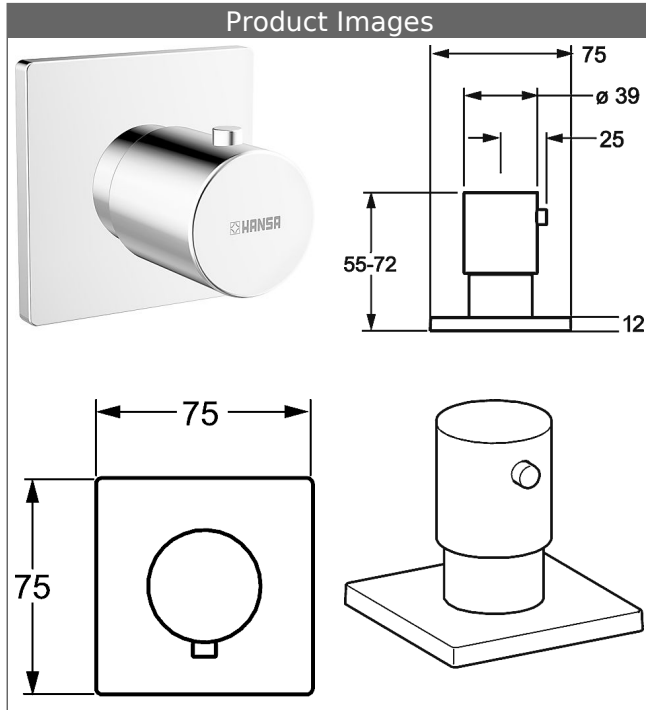


HANSA trim kit



suitable for concealed valves with ceramic or spindle head part



Description

HANSA
trim kit
suitable for concealed valves with ceramic or spindle
head part

- for volume control valves
- for multi-way diverter 0295 0100
- consisting of:
- chrome handle
- (-) without H+C symbol
- rosette, twist-resistant

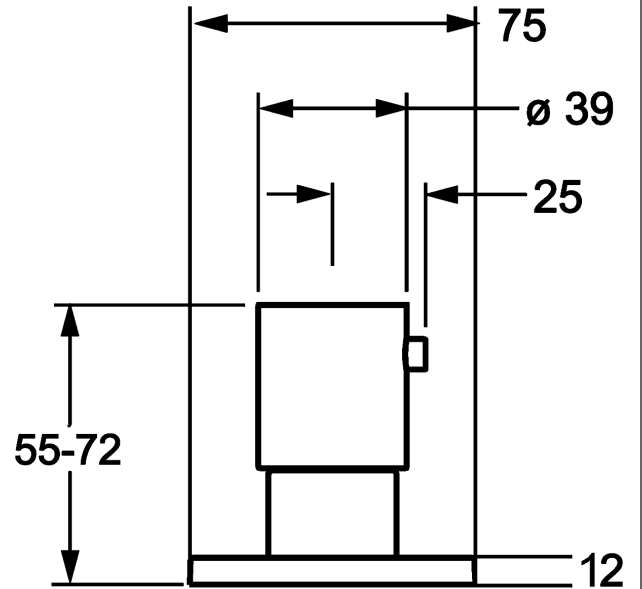
Model	Item No.	
chrome	02289172	
chrome, lever with white glass inlay	02289178	

For the complete unit please order separately trim kit
and concealed base unit

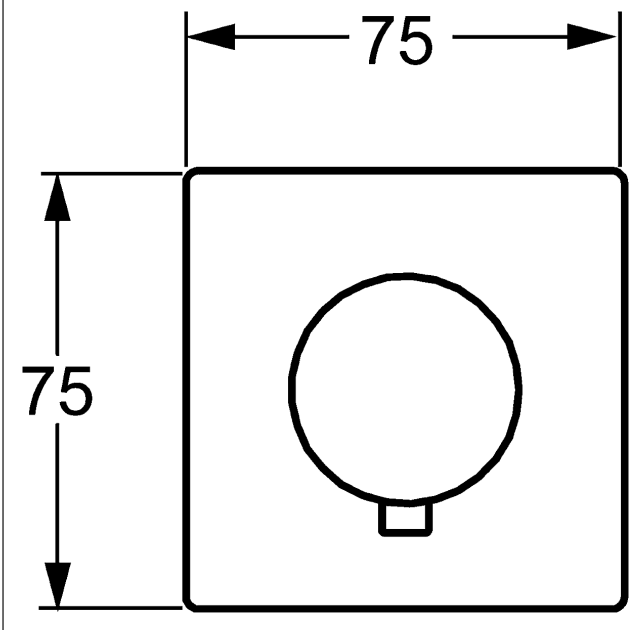
Product Image



Product Drawing



Product Drawing



Product Drawing

