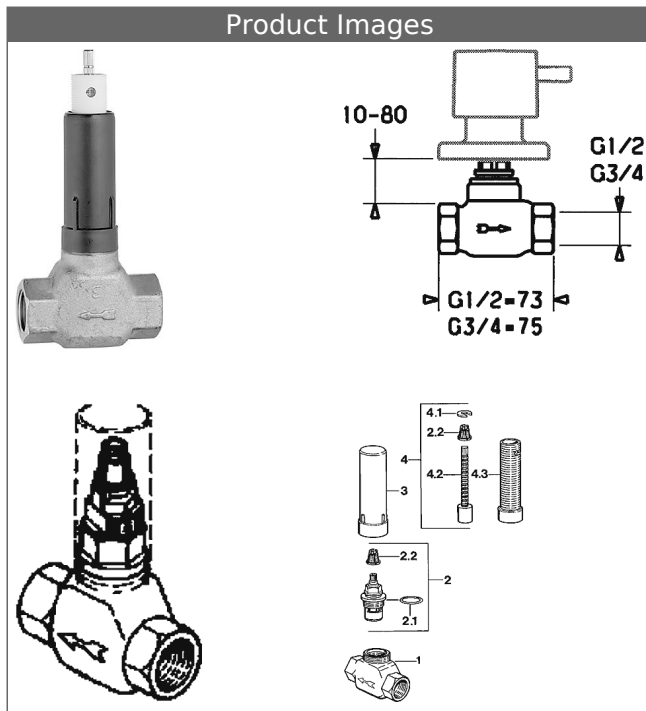


## HANSA concealed valve with ceramic discs

G 1/2 threaded connection



## Description

HANSA concealed valve with ceramic discs  
G 1/2 threaded connection

flow rate: up to 30 l/min

- body: DR brass (MS 63)
- ceramic disc headpart, DN 20
- installation depth 10-80 mm
- leak water protective sleeve

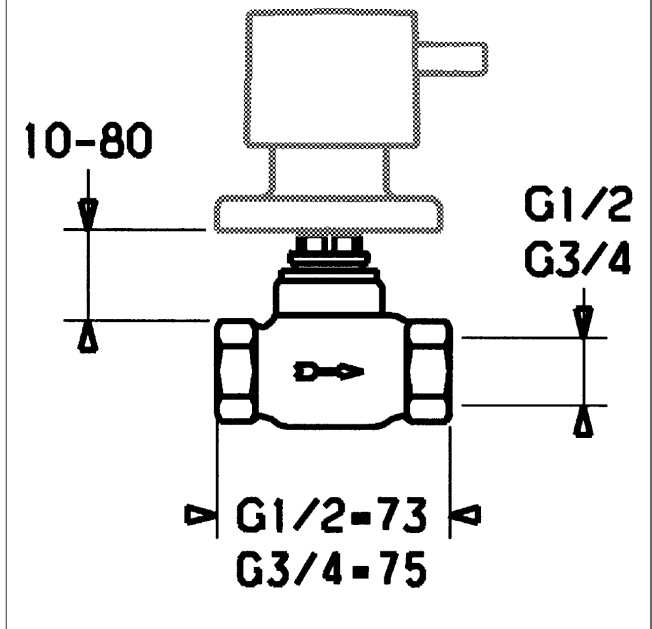
| Model | Item No. |
|-------|----------|
|       | 02250100 |



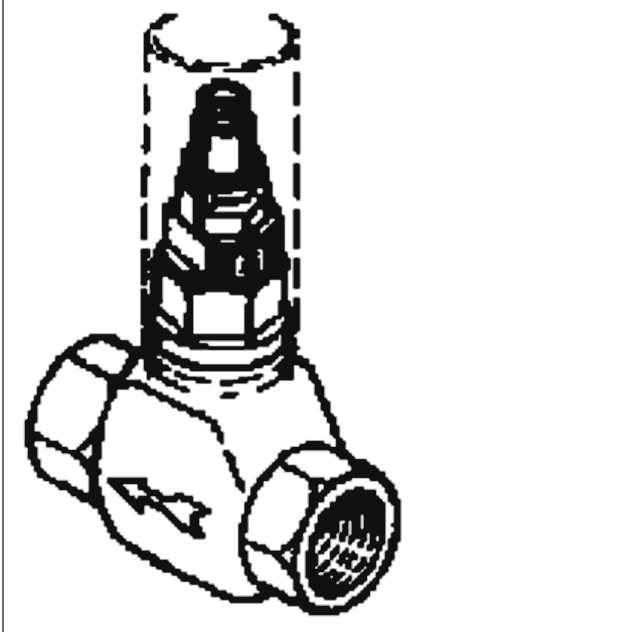
Product Image



Product Drawing



Product Drawing



Product Drawing

