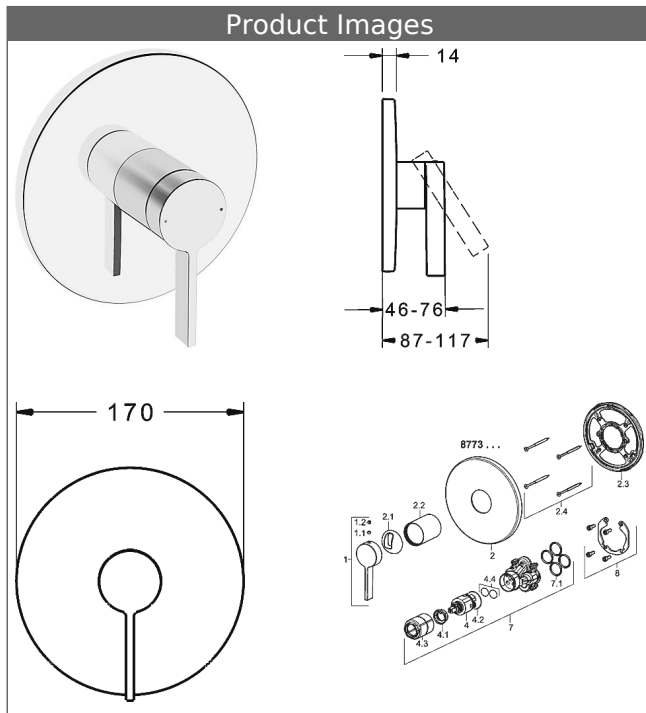


HANSALOFT
trim kit with function unit
single-lever shower mixer
suitable for HANSABLUEBOX concealed unit
 rosette without screws
 function unit without diverter



Description

HANSALOFT
 trim kit with function unit
 single-lever shower mixer
 suitable for HANSABLUEBOX concealed unit
 rosette without screws
 function unit without diverter

PA-IX 28815/IB
 flow rate: 22 l/min, at 3 bar hydraulic pressure

- consisting of:
- fixing the functional unit with 4 screws
- noise insulation
- trim kit consisting of:
- operating lever (metal)
- sleeve and wall rosette
- round rosette, Ø 170 mm
- BLUECLOCK trim plate frame for an easy installation
- Orientation of the rosette possible after installation
- DVGW in preparation

HANSA control cartridge classic 3.5

Item No.: 59913075

Qty: 1

- (-) ceramic discs with integrated grease wells
- (-) adjustable hot water stop
- (-) volume restrictor indefinitely variable up to approx. 6 l/min

HANSA control cartridge classic 3.5

Item No.: 59913075

Qty: 1

- (-) ceramic discs with integrated grease wells
- (-) adjustable hot water stop
- (-) volume restrictor indefinitely variable up to approx. 6 l/min

Model

Item No.

chrome

87739003

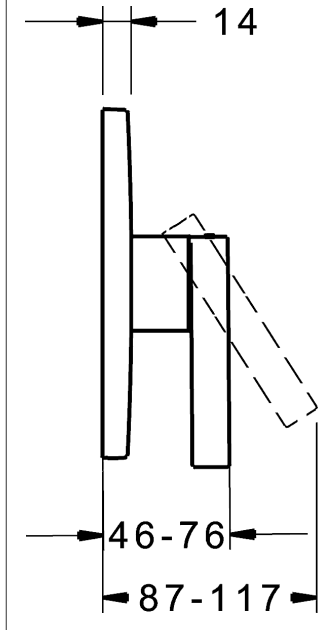


suitable for installation unit 8000/8001

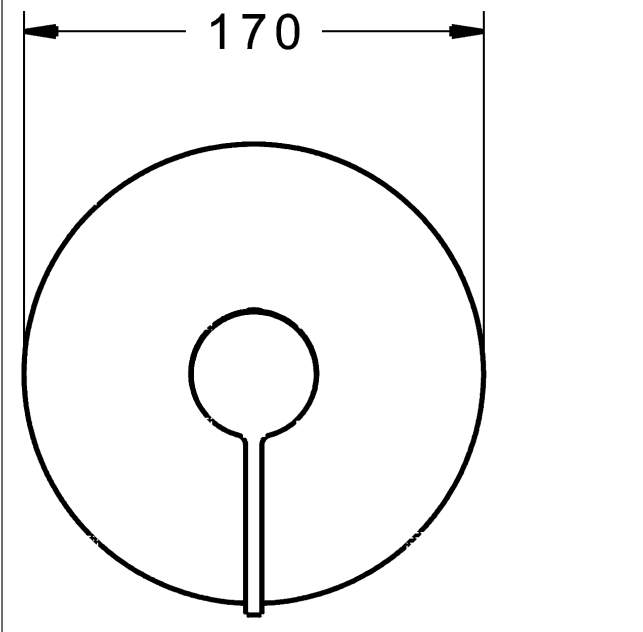
Product Image



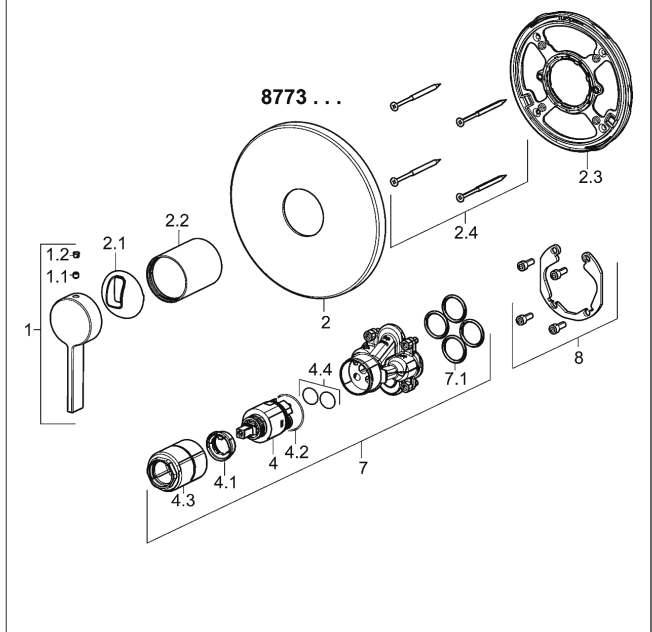
Product Drawing





Product Drawing



Product Drawing



Related Products

Image:	Description:	Model / Item No.:
	<p>HANSABUEBOX base unit concealed installation unit</p> <p>without shut-off valves</p>	<p>80000000</p>
	<p>HANSABUEBOX base unit concealed installation unit with shut-off valves</p> <p>with shut-off valves</p>	<p>80010000</p>