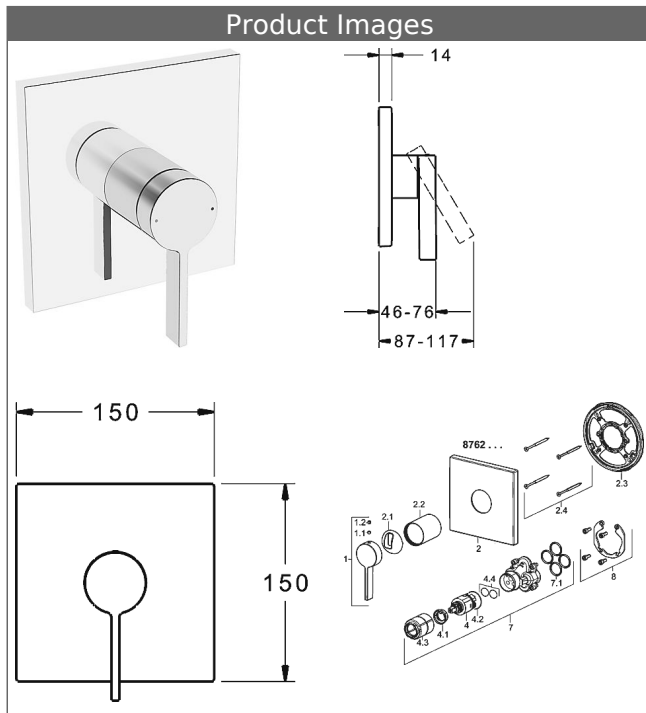


**HANSALOFT**  
**trim kit with function unit**  
**single-lever shower mixer**  
**suitable for HANSABLUEBOX concealed unit**  
 rosette without screws  
 function unit without diverter



**Description**

HANSALOFT  
 trim kit with function unit  
 single-lever shower mixer  
 suitable for HANSABLUEBOX concealed unit  
 rosette without screws  
 function unit without diverter

PA-IX 28815/IB  
 flow rate: 22 l/min, at 3 bar hydraulic pressure

- consisting of:
- fixing the functional unit with 4 screws
- noise insulation
- trim kit consisting of:
- operating lever (metal)
- sleeve and wall rosette
- squared rosette, 150x150mm
- BLUECLOCK trim plate frame for an easy installation
- Orientation of the rosette possible after installation
- DVGW in preparation

**HANSA control cartridge classic 3.5**

Item No.: 59913075

Qty: 1

- (-) ceramic discs with integrated grease wells
- (-) adjustable hot water stop
- (-) volume restrictor indefinitely variable up to approx. 6 l/min

**HANSA control cartridge classic 3.5**

Item No.: 59913075

Qty: 1

- (-) ceramic discs with integrated grease wells
- (-) adjustable hot water stop
- (-) volume restrictor indefinitely variable up to approx. 6 l/min

**Model**

**Item No.**

chrome

87629003

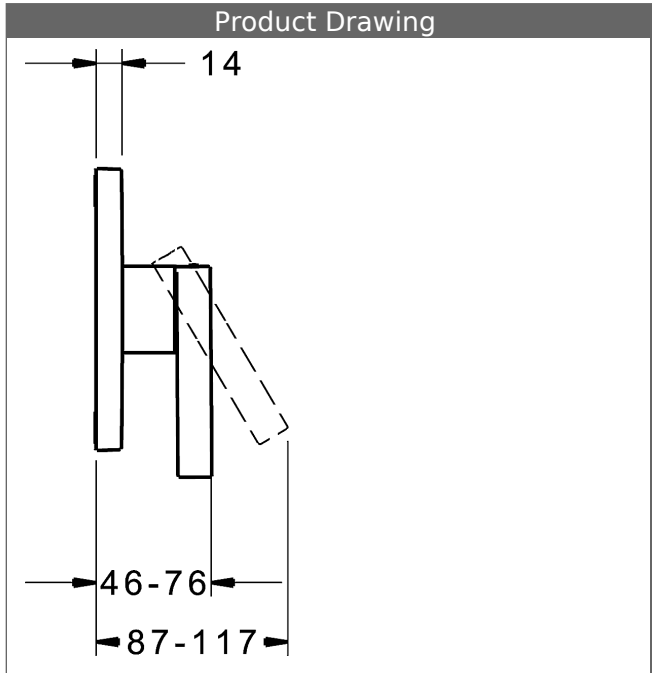


suitable for installation unit 8000/8001

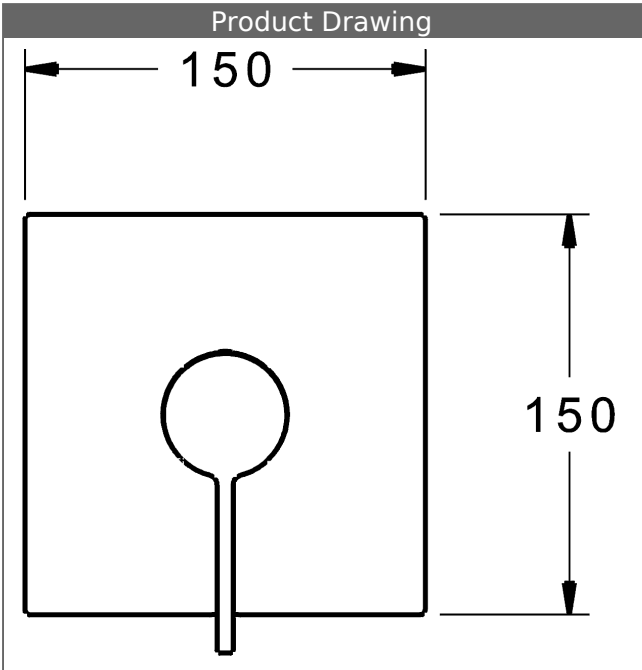
Product Image



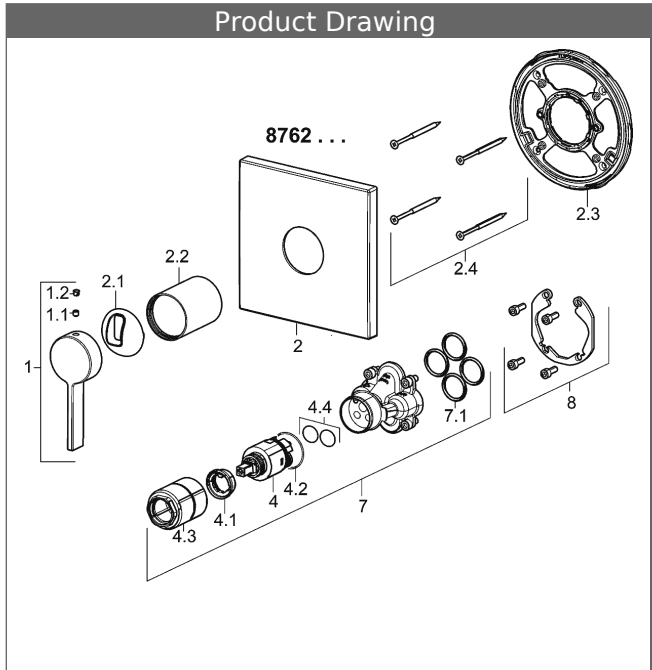
Product Drawing





Product Drawing



Product Drawing



### Related Products

| Image:  | Description:   | Model / Item No.: |
|---|--|-------------------|
|  | <p><b>HANSABUEBOX</b><br/>base unit<br/>concealed installation unit</p> <p>without shut-off valves</p>                       | 80000000          |
|  | <p><b>HANSABUEBOX</b><br/>base unit<br/>concealed installation unit<br/>with shut-off valves</p> <p>with shut-off valves</p> | 80010000          |