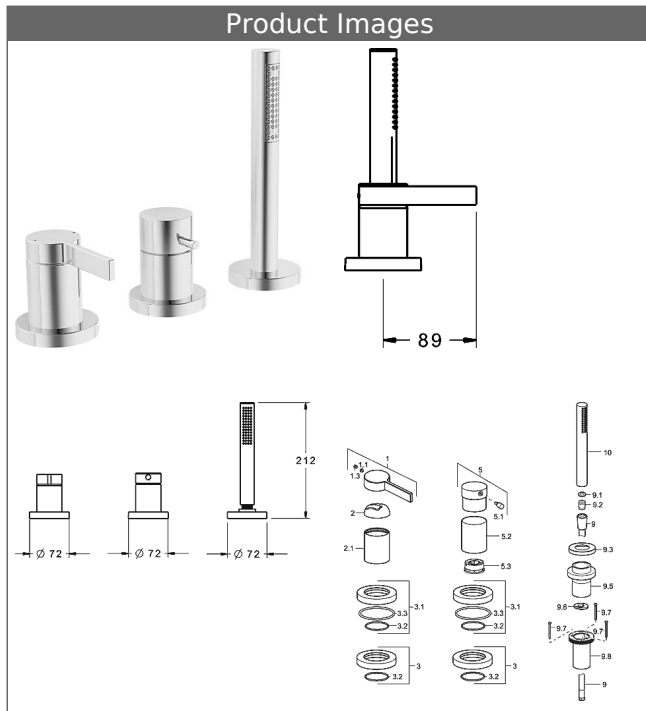


HANSALOFT
trim kit single-lever mixer
for all 3-hole installation units
 for distant positioned bathtub spout (HANSAFILL)
 without HANSAFILL tub filler and drain assembly




Description

HANSALOFT
 trim kit single-lever mixer
 for all 3-hole installation units
 for distant positioned bathtub spout (HANSAFILL)
 without HANSAFILL tub filler and drain assembly

flow rate: 20/13 l/min (spout/shower), at 3 bar hydraulic pressure

- consisting of:
- single-lever mixer - control parts and trim kit
- lever HANSALOFT
- diverter - control parts and trim kit
- hose guide
- HANSASTILO hand shower
- (-) 1-spray
- (-) strainer
- shower hose, 1750 mm, silver-grey
- (-) exchangeable via tiles

Model	Item No.
chrome	57799073 

suitable for installation unit 53010200 / 53030200 / 53070200

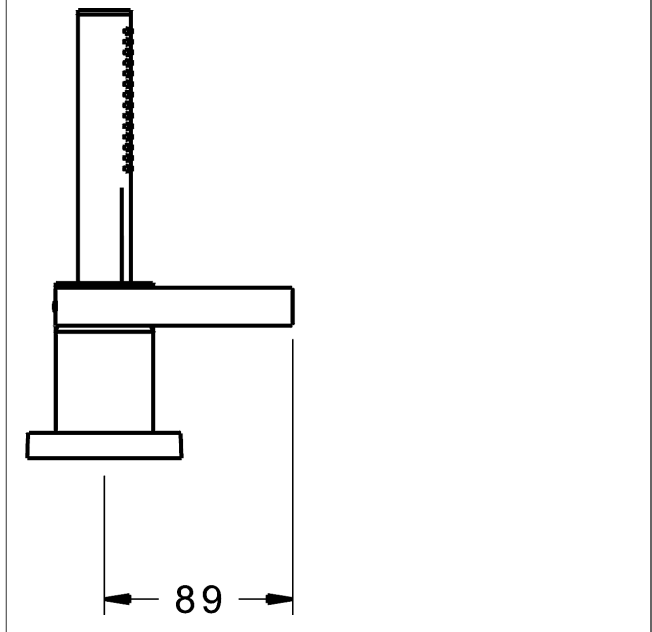
For the complete unit please order separately trim kit and concealed base unit



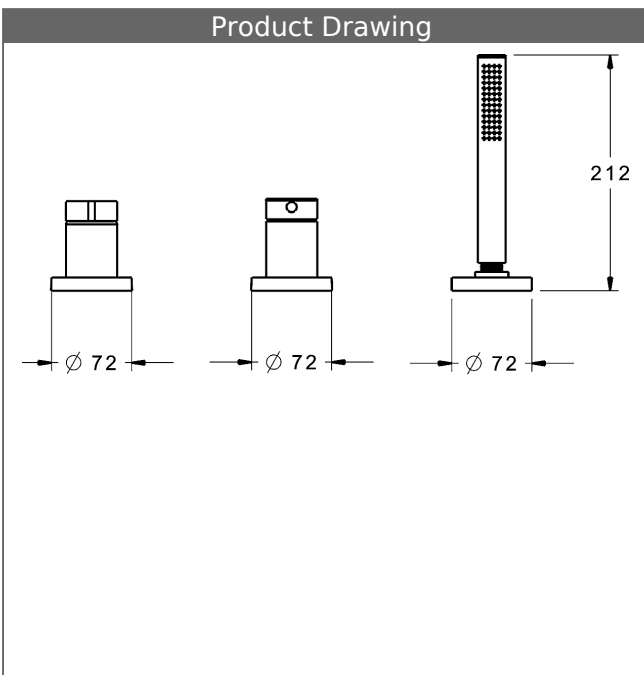
Product Image



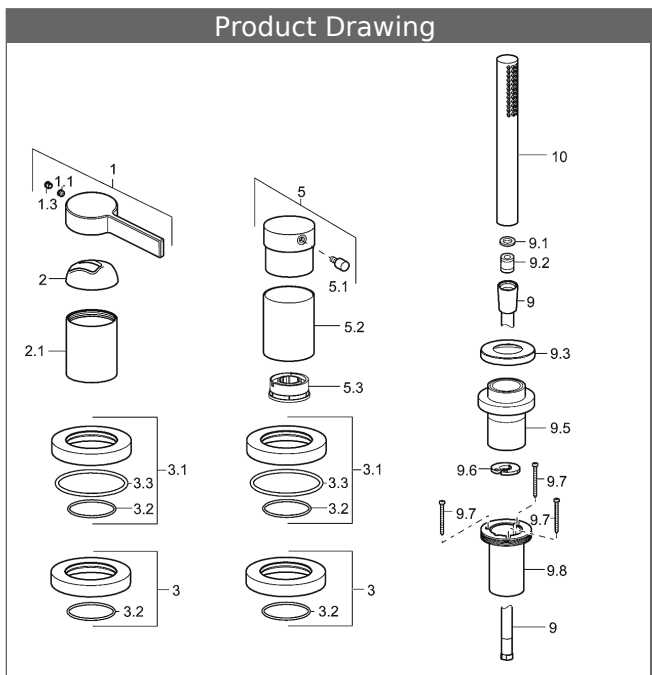
Product Drawing



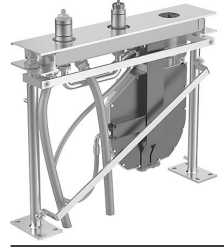
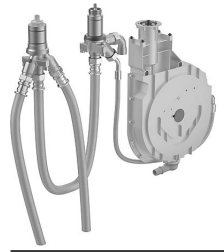
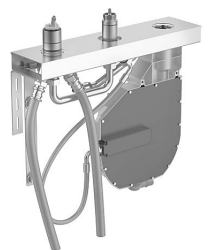
Product Drawing



Product Drawing



Related Products

Image:	Description:	Model / Item No.:
	<p>HANSACOMPACT 3-hole rim-mounted installation unit for distant positioned bathtub spout, DN 20 for pillar mounting</p> <p>installation depth: continuously adjustable from 495-650 mm with flexible hose G 3/4 x G 3/4, 1000 mm can be assembled with all 3-hole trim kits</p>	<p>chrome 53010200</p>
	<p>HANSA 3-hole rim-mounted installation unit, DN 20 for distant positioned bathtub spout, DN 20</p> <p>with flexible connecting hoses G 3/4 can be assembled with all 3-hole trim kits</p>	<p>chrome 53030200</p>
	<p>HANSACOMPACT wall-mounted and renovation unit for 3-hole-tiled rim assembly with installation unit, DN 20 for distant positioned bathtub spout, DN 20</p> <p>with connection hoses G 3/4 can be assembled with all 3-hole trim kits</p>	<p>chrome 53070200</p>