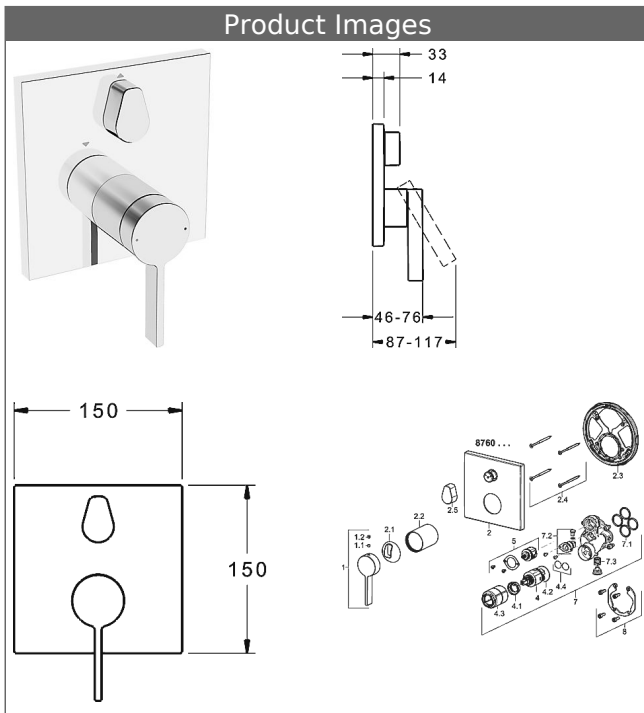


**HANSALOFT trim kit with function unit  
single-lever bath mixer  
with vacuum breaker  
suitable for HANSABLUEBOX concealed unit**  
rosette without screws  
function unit with BLUESWITCH diverter



**Description**

HANSALOFT trim kit with function unit  
single-lever bath mixer  
with vacuum breaker  
suitable for HANSABLUEBOX concealed unit  
rosette without screws  
function unit with BLUESWITCH diverter

PA-IX 28817/IDC  
flow rate: 21/21 l/min (spout/shower), at 3 bar hydraulic pressure

- consisting of:
- fixing the functional unit with 4 screws
- noise insulation
- vacuum breaker type HD according to DIN EN 15096 (h > 250 mm)
- (-) bathtub spout protection below the bathtub rim in domestic use
- trim kit consisting of:
- operating lever (metal)
- sleeve and wall rosette
- squared rosette, 150x150mm
- BLUECLICK trim plate frame for an easy installation
- BLUESWITCH manual, ceramic diverter bath/shower
- (-) for pressure independent function
- BLUETUNE alignment of the rosette possible after installation from  $\pm 3,5^\circ$
- DVGW in preparation

**HANSA control cartridge classic 3.5**

Item No.: 59913075

Qty: 1

(-) ceramic discs with integrated grease wells

(-) adjustable hot water stop

(-) volume restrictor indefinitely variable up to approx. 6 l/min

**HANSA control cartridge classic 3.5**

Item No.: 59913075

Qty: 1

(-) ceramic discs with integrated grease wells

(-) adjustable hot water stop

(-) volume restrictor indefinitely variable up to approx. 6 l/min

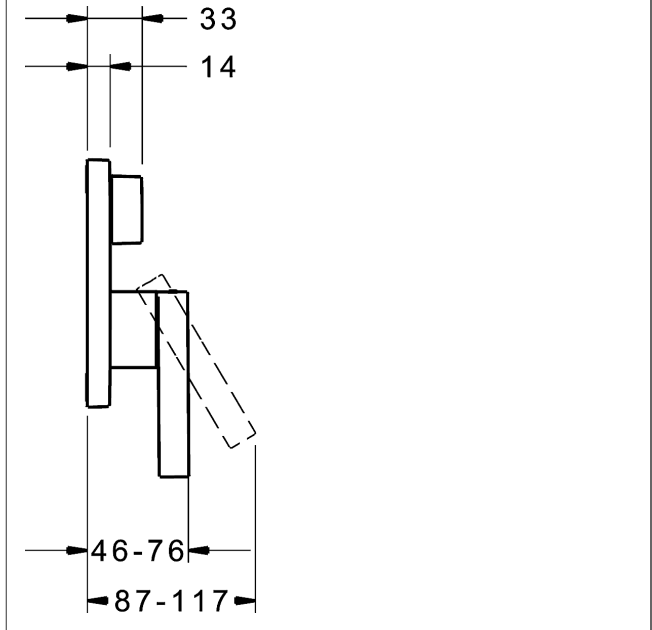
Model	Item No.	
chrome	87603003	

suitable for installation unit 8000/8001

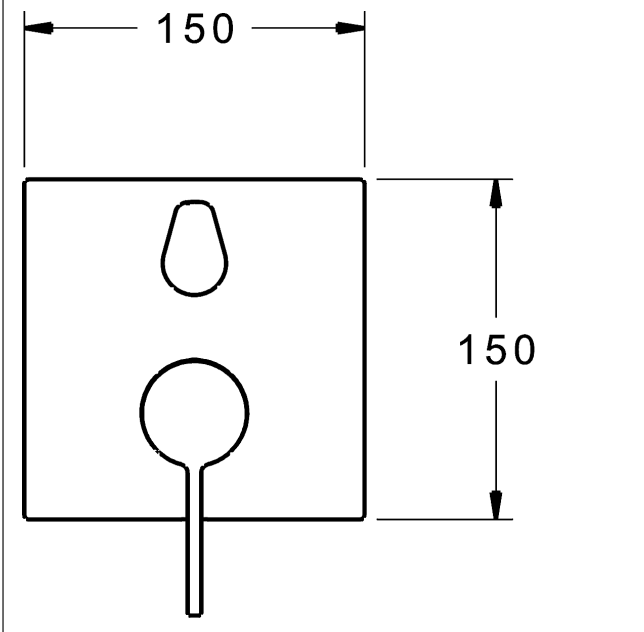
Product Image



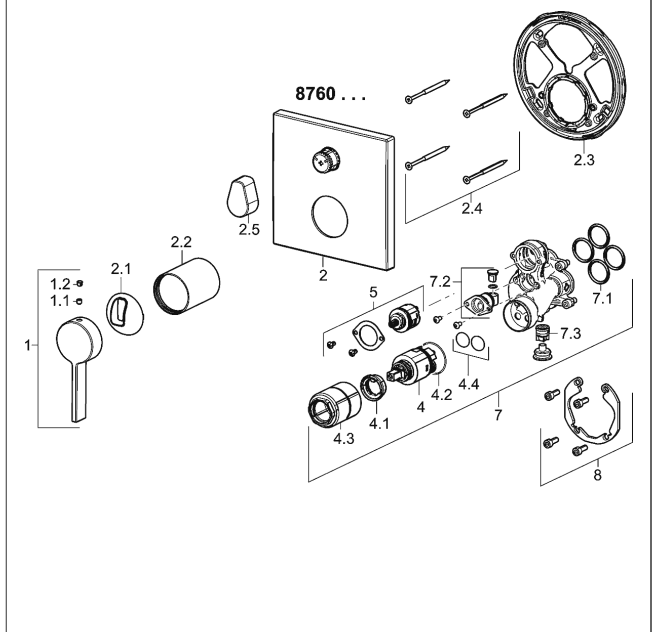
Product Drawing





Product Drawing



Product Drawing



### Related Products

Image:	Description:	Model / Item No.:
	<p><b>HANSABUEBOX</b>  <b>base unit</b>  <b>concealed installation unit</b></p> <p>without shut-off valves</p>	<p>80000000</p>
	<p><b>HANSABUEBOX</b>  <b>base unit</b>  <b>concealed installation unit</b></p> <p>with shut-off valves</p>	<p>80010000</p>