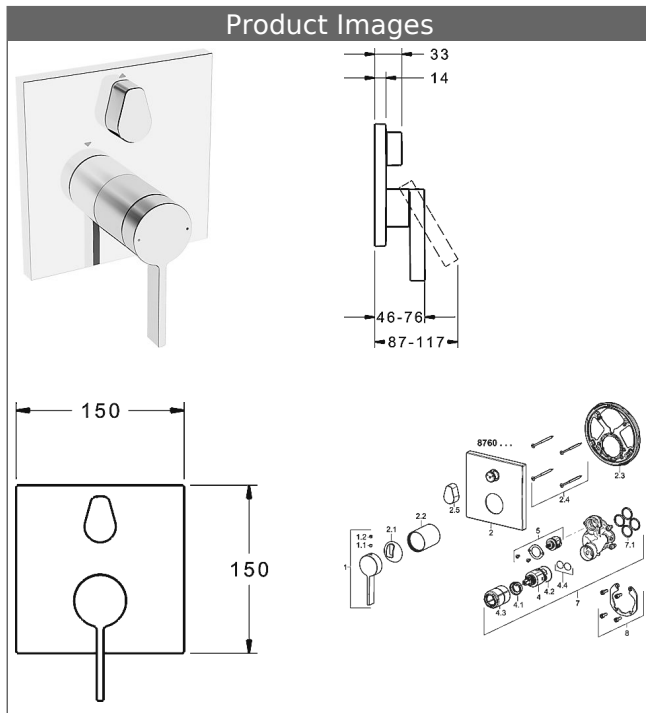


HANSALOFT
trim kit with function unit
single-lever bath mixer
suitable for HANSABLUEBOX concealed unit
 rosette without screws
 function unit with BLUESWITCH diverter



Description

HANSALOFT
 trim kit with function unit
 single-lever bath mixer
 suitable for HANSABLUEBOX concealed unit
 rosette without screws
 function unit with BLUESWITCH diverter

flow rate: 21/21 l/min (spout/shower), at 3 bar hydraulic pressure

- consisting of:
- fixing the functional unit with 4 screws
- noise insulation
- trim kit consisting of:
- operating lever (metal)
- sleeve and wall rosette
- squared rosette, 150x150mm
- BLUECLOCK trim plate frame for an easy installation
- BLUESWITCH manual, ceramic diverter bath/shower
- (-) for pressure independent function
- BLUETUNE alignment of the rosette possible after installation from $\pm 3,5^\circ$
- DVGW in preparation

HANSA control cartridge classic 3.5

Item No.: 59913075

Qty: 1

- (-) ceramic discs with integrated grease wells
- (-) adjustable hot water stop
- (-) volume restrictor indefinitely variable up to approx. 6 l/min

HANSA control cartridge classic 3.5

Item No.: 59913075

Qty: 1

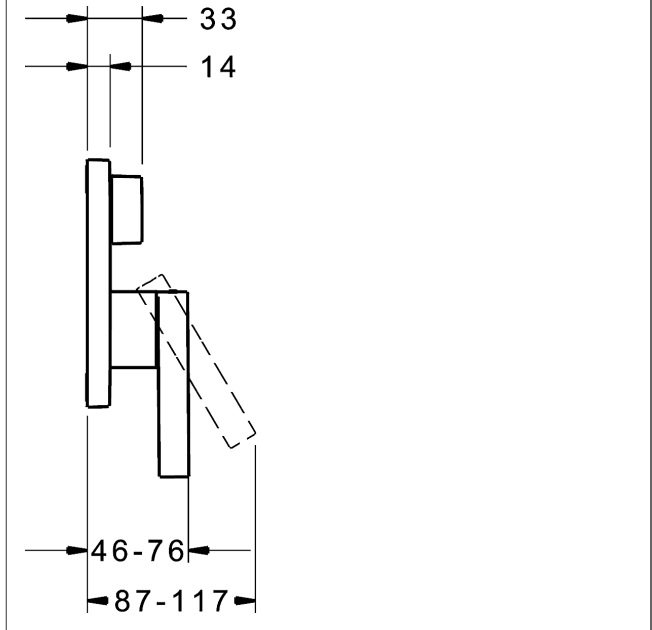
- (-) ceramic discs with integrated grease wells
- (-) adjustable hot water stop
- (-) volume restrictor indefinitely variable up to approx. 6 l/min

Model	Item No.	
chrome	87609003	
suitable for installation unit 8000/8001		

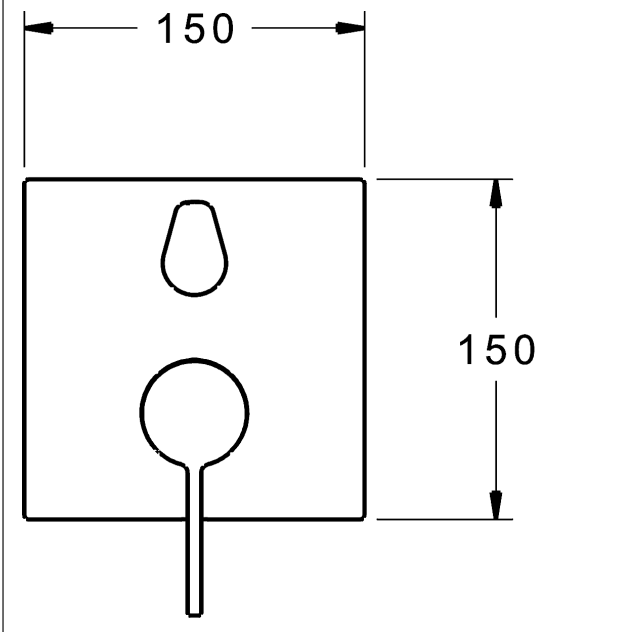
Product Image



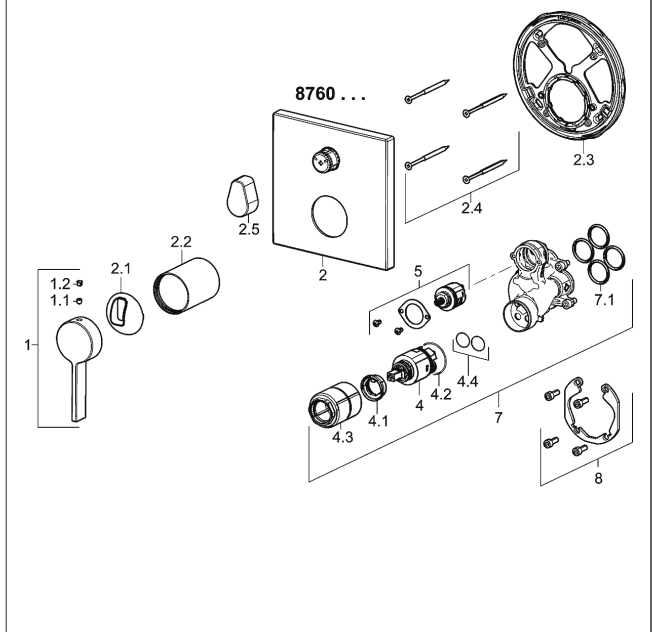
Product Drawing





Product Drawing



Product Drawing



Related Products

Image:	Description:	Model / Item No.:
	<p>HANSABUEBOX base unit concealed installation unit</p> <p>without shut-off valves</p>	<p>80000000</p>
	<p>HANSABUEBOX base unit concealed installation unit with shut-off valves</p> <p>with shut-off valves</p>	<p>80010000</p>