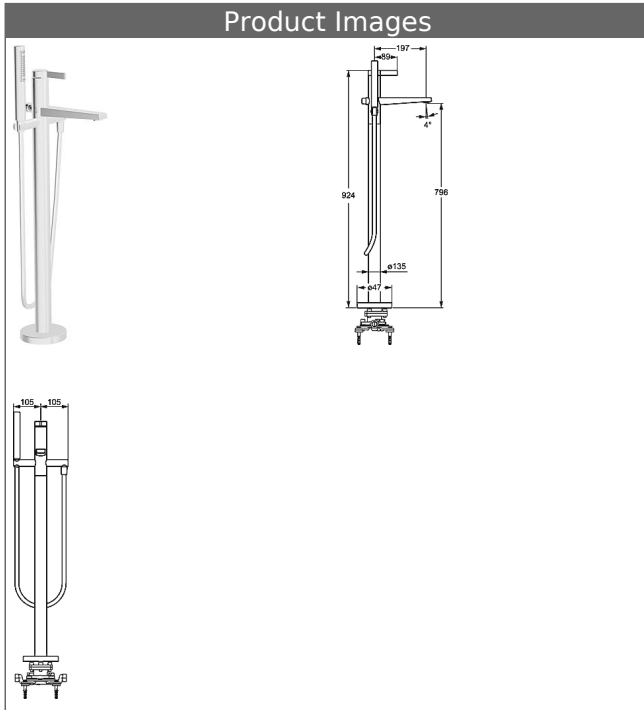


HANSALOFT single-lever bath mixer, DN 15 G1/2 ground-standing



Description

HANSALOFT
single-lever bath mixer, DN 15 G1/2
ground-standing

flow rate: 20/13 l/min (spout/shower), at 3 bar hydraulic pressure

- body: DR brass (MS 63)
- operating lever (metal)
- CACHÉ® flow straightener with fitting wrench
- (-) improved limescale protection with the HONEYCOMB® structure
- HANSASTILO hand shower
- shower bracket: revolving
- diverter - automatic shower to bath reset
- round rosette, additionally enclosed
- protected against back-flow in domestic use (according to DIN EN 1717)

projection: 197 mm

HANSA control cartridge classic 3.5

Item No.: 59913075

Qty: 1


- (-) ceramic discs with integrated grease wells
- (-) adjustable hot water stop
- (-) volume restrictor indefinitely variable up to approx. 6 l/min

HANSA control cartridge classic 3.5

Item No.: 59913075

Qty: 1

- (-) ceramic discs with integrated grease wells
- (-) adjustable hot water stop
- (-) volume restrictor indefinitely variable up to approx. 6 l/min

Model	Item No.	
chrome	57762073	

suitable for installation unit 5328 0100

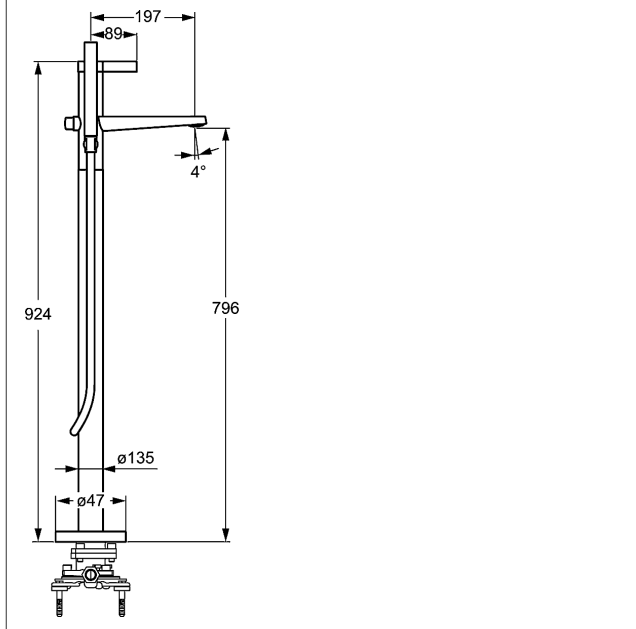
For the complete unit please order separately trim kit and concealed base unit



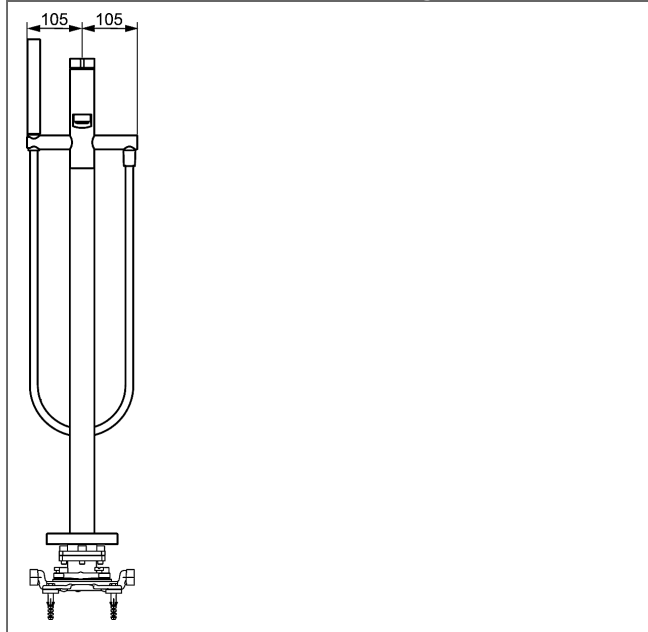
Product Image




Product Drawing



Product Drawing



Related Products

Image:	Description:	Model / Item No.:
	<p>HANSAVARIO installation unit, DN 15 (G1/2) for bath mixers</p> <p>ground-standing</p>	53280100