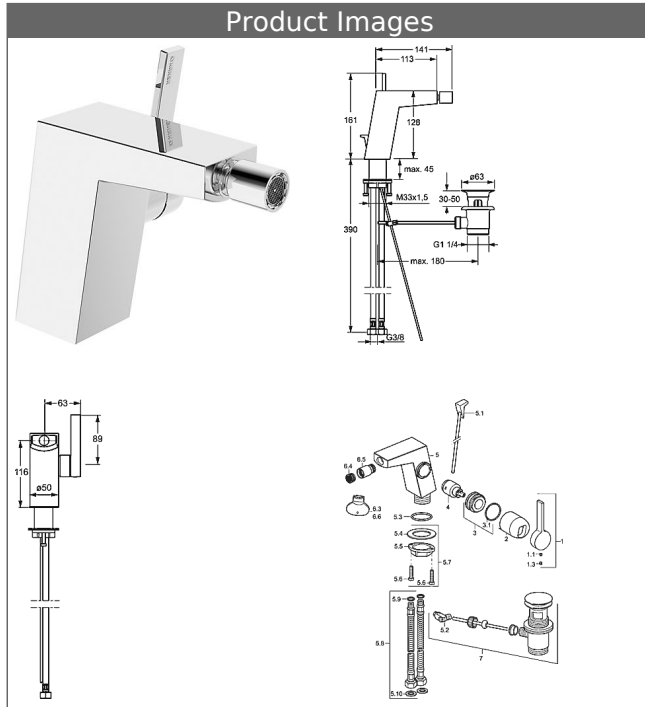


HANSALOFT one-hole single-lever bidet mixer, DN 15 for bidet



Description

HANSALOFT
one-hole single-lever bidet mixer, DN 15
for bidet

flow rate: 6 l/min, at 3 bar hydraulic pressure

- body: DR brass (MS 63)
- operating lever (metal)
- (-) side operation
- CACHE[®] flow straightener with fitting wrench
- (-) improved limescale protection with the HONEYCOMB[®] structure
- pop-up waste (metal) and draw-rod
- rapid installation system
- connection with flexible hoses G 3/8 (-) DVGW W270 approved

projection: 141 mm

HANSA cartridge 2.5

Item No.: 59913914

Qty: 1

(-) ceramic discs

HANSA cartridge 2.5

Item No.: 59913914

Qty: 1

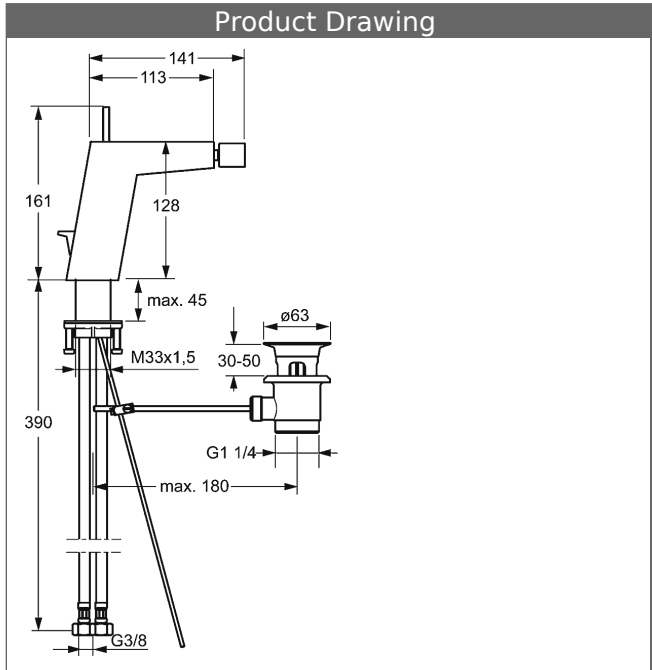
(-) ceramic discs

Model	Item No.	
chrome	57583203	

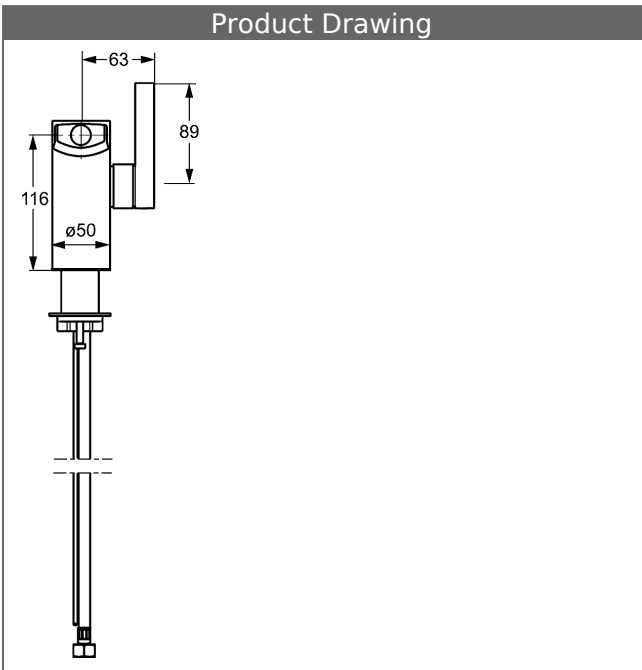
Product Image



Product Drawing



Product Drawing



Product Drawing

