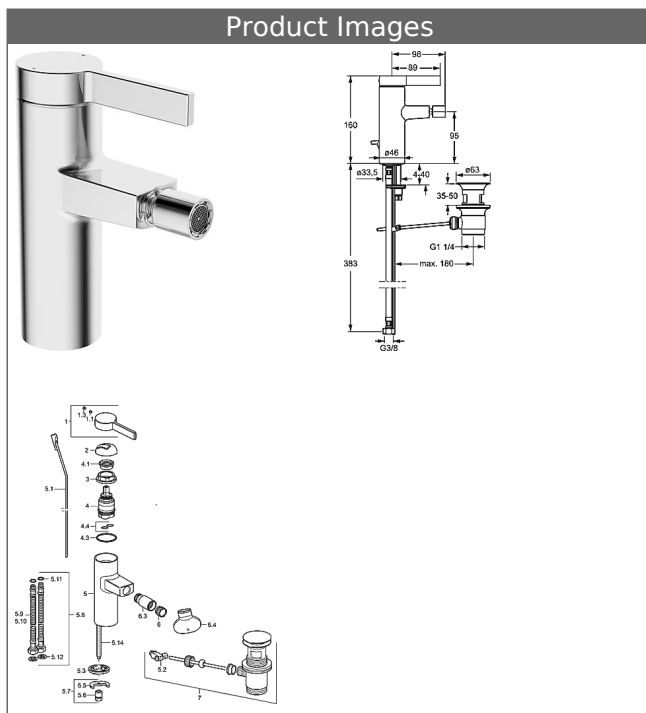


HANSALOFT one-hole single-lever bidet mixer



Description

HANSALOFT
one-hole single-lever bidet mixer

flow rate: 6 l/min, at 3 bar hydraulic pressure

- body: DR brass (MS 63)
- operating lever (metal)
- CACHE® flow straightener with fitting wrench
- (-) improved limescale protection with the HONEYCOMB® structure
- pop-up waste (metal) and draw-rod
- rapid installation system
- connection with flexible hoses G 3/8 (-) DVGW W270 approved

projection: 98 mm

HANSA control cartridge classic 3.5

Item No.: 59913075

Qty: 1

(-) ceramic discs with integrated grease wells

(-) adjustable hot water stop

(-) volume restrictor indefinitely variable up to approx. 6 l/min

HANSA control cartridge classic 3.5


Item No.: 59913075

Qty: 1

(-) ceramic discs with integrated grease wells

(-) adjustable hot water stop

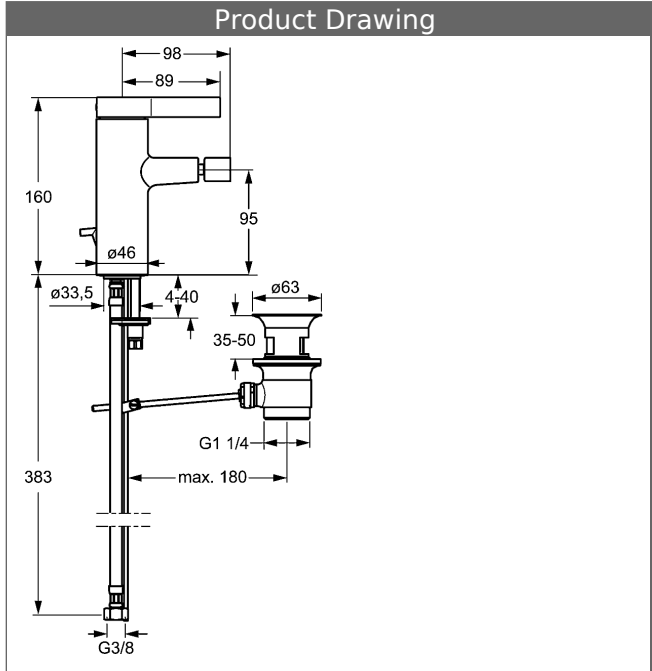
(-) volume restrictor indefinitely variable up to approx. 6 l/min

Model	Item No.	
chrome	57663203	

Product Image



Product Drawing



Product Drawing

