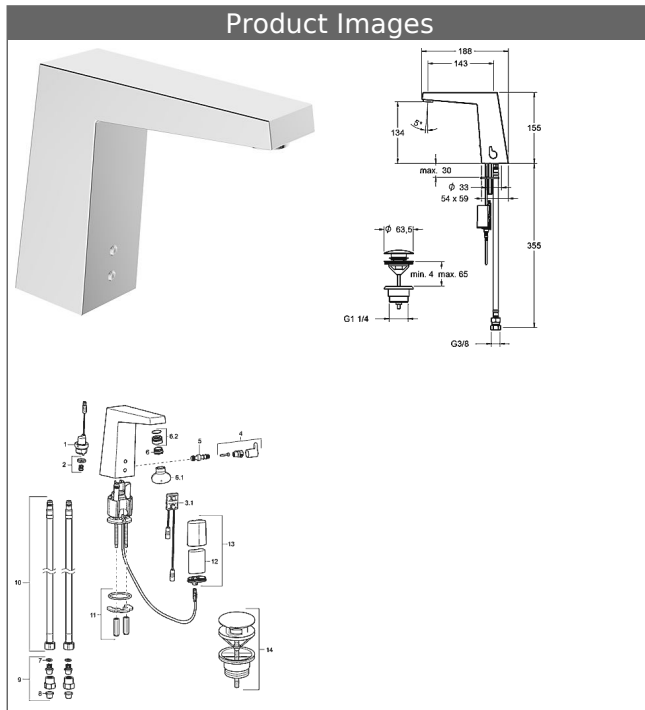


**HANSALOFT**  
**electronic basin faucet, DN 15**  
**battery-operated**  
**sensory operation (infrared)**



**Description**

HANSALOFT  
 electronic basin faucet, DN 15  
 battery-operated  
 sensory operation (infrared)

flow rate: 6 l/min, at 3 bar hydraulic pressure

- Fitting body: brass
- adjustable mix water temperature
- (-) adjustable hot water stop
- solenoid valve
- sensor parameters at factory optimally preset
- rinsing time pre-set at about 2 seconds
- safety stop after 2 min
- fitting fastening set
- push-pop-up waste
- connection with 2 flexible hoses and strainer
- non-return valve in connections
- standard 6 V lithium batterie
- battery dead display
- fitting can be deactivated for cleaning, with the added cover

projection: 143 mm

**Lithium battery 2CR5 6V / DL245 6V**

Item No.: 59911670

Qty: 1

**Lithium battery 2CR5 6V / DL245 6V**

Item No.: 59911670

Qty: 1

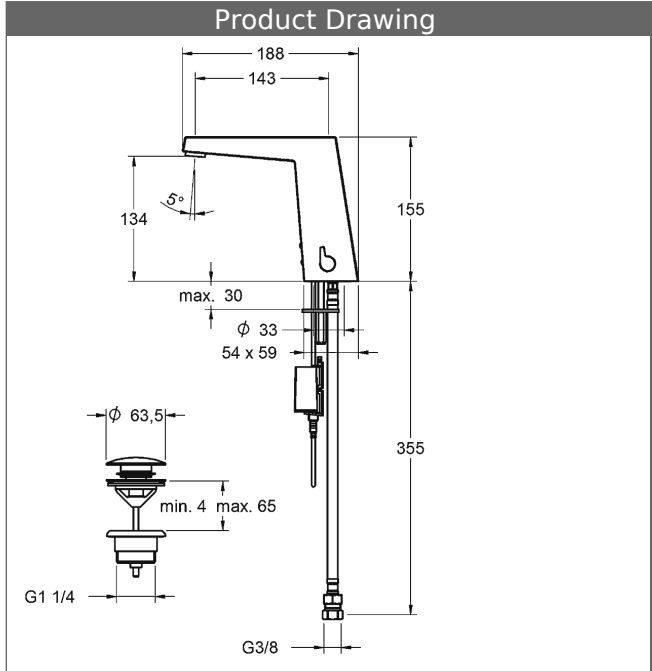
Model	Item No.
chrome	57492211



Product Image



Product Drawing



Product Drawing

