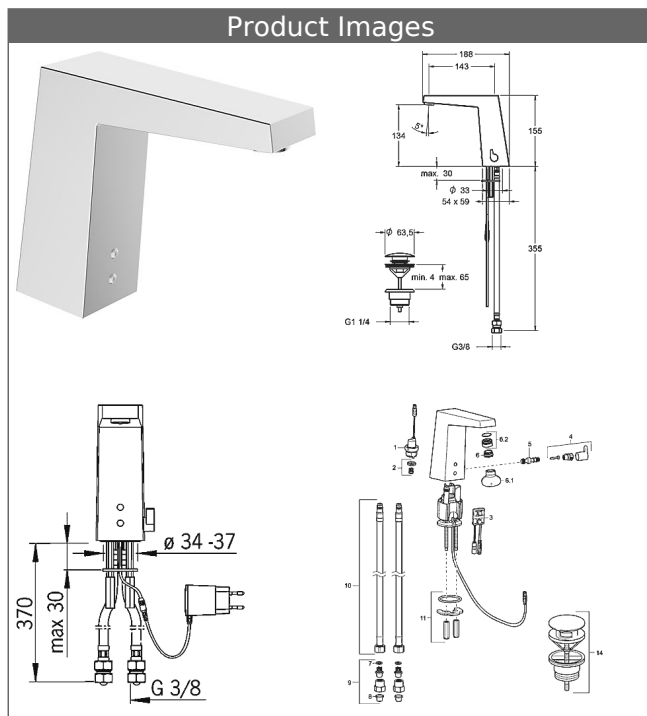


HANSALOFT
electronic basin faucet, DN 15
mains supply
sensory operation (infrared)




Description

HANSALOFT
 electronic basin faucet, DN 15
 mains supply
 sensory operation (infrared)

flow rate: 6 l/min, at 3 bar hydraulic pressure

- Fitting body: brass
- adjustable mix water temperature
- (-) adjustable hot water stop
- solenoid valve
- sensor parameters at factory optimally preset
- rinsing time pre-set at about 2 seconds
- safety stop after 2 min
- fitting fastening set
- push-pop-up waste
- connection with 2 flexible hoses and strainer
- non-return valve in connections
- fitting can be deactivated for cleaning, with the added cover
- Plug-in power supply 230V/50-60 Hz, operative voltage 12 V
- power supply cable 1500 mm in length

projection: 143 mm

Model	Item No.
chrome	57482201 

operative voltage 12 V DC

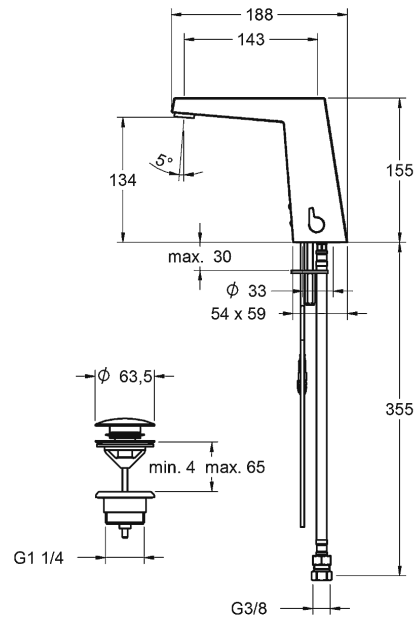
alternative: suitable power supply 64990100 please order separately



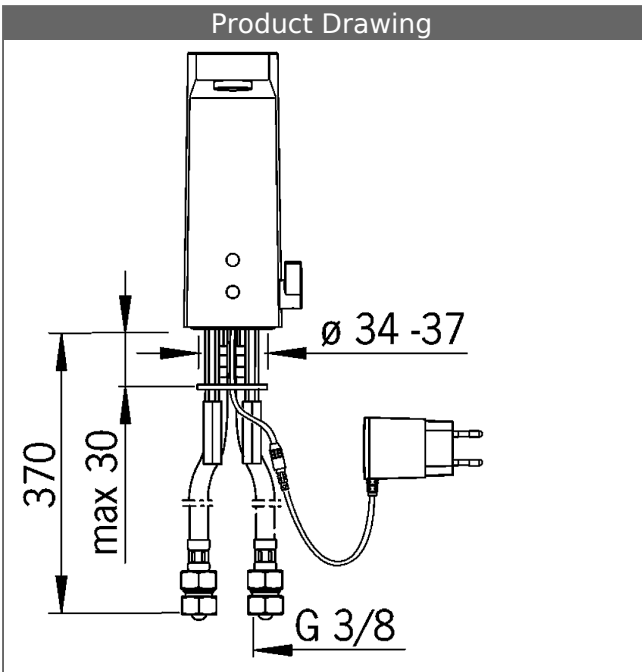
Product Image



Product Drawing



Product Drawing



Product Drawing

