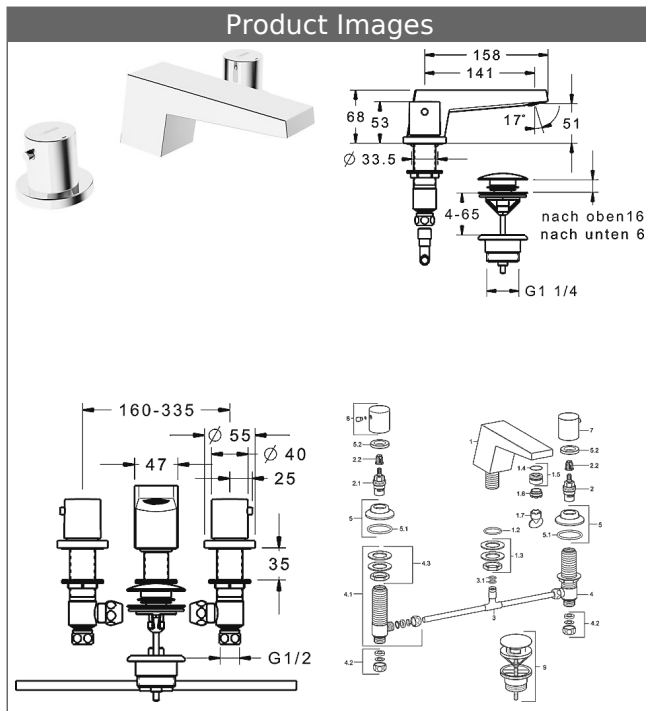


HANSALOFT three-hole basin mixer, DN 15



Description

HANSALOFT
three-hole basin mixer, DN 15

flow rate: 6 l/min, at 3 bar hydraulic pressure

- body: DR brass (MS 63)
- CACHÉ® flow straightener with fitting wrench
- (-) improved limescale protection with the HONEYCOMB® structure
- (-) swivel
- operating handles
- (-) H+C symbol
- (-) ceramic disc headpart
- incl. push-pop-up waste

spout: fixed
projection: 141 mm

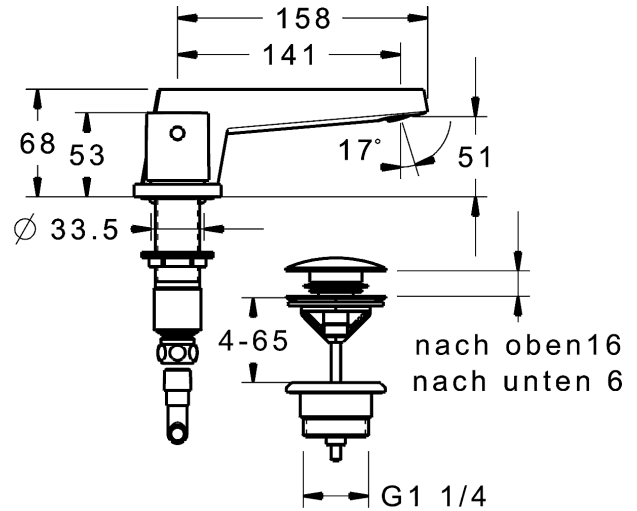
Model	Item No.
chrome	57682103



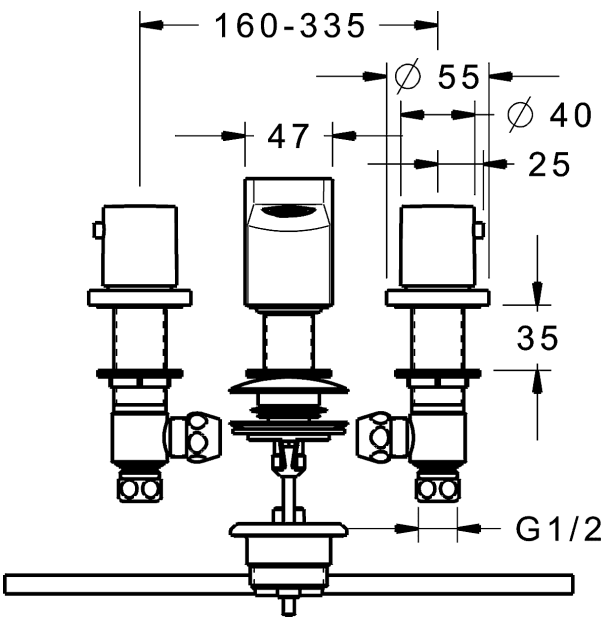
Product Image



Product Drawing



Product Drawing



Product Drawing

