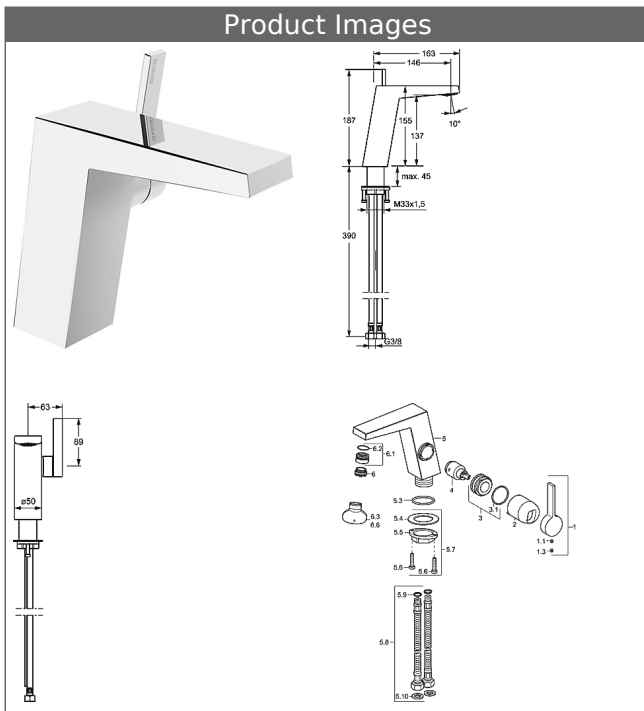


## HANSALOFT one-hole single-lever basin mixer, DN 15



### Description

HANSALOFT  
one-hole single-lever basin mixer, DN 15

flow rate: 6 l/min, at 3 bar hydraulic pressure

- body: DR brass (MS 63)
- operating lever (metal)
- (-) side operation
- CACHÉ® flow straightener with fitting wrench
- (-) improved limescale protection with the HONEYCOMB® structure
- (-) swivel
- without pop-up waste
- without draw-rod opening
- rapid installation system
- connection with flexible hoses G 3/8 (-) DVGW W270 approved

spout: fixed  
projection: 146 mm

#### HANSA cartridge 2.5

Item No.: 59913914

Qty: 1


(-) ceramic discs

#### HANSA cartridge 2.5

Item No.: 59913914

Qty: 1

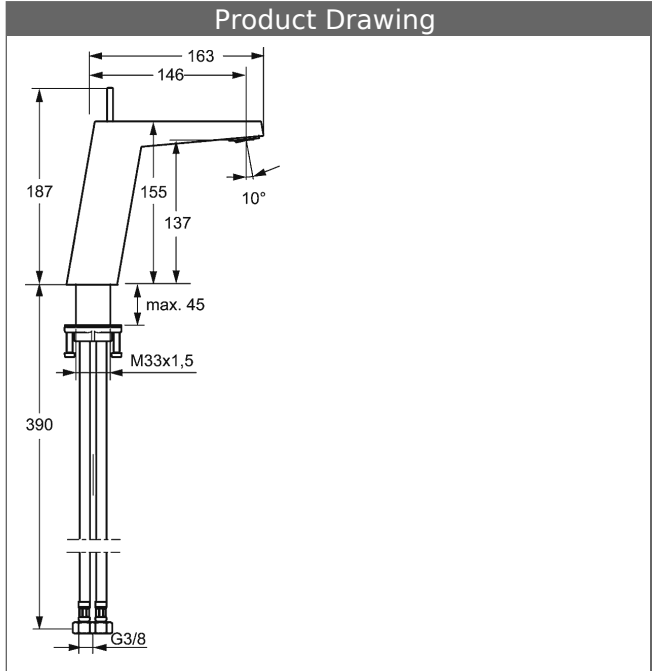
(-) ceramic discs

Model	Item No.	
chrome	57522203	

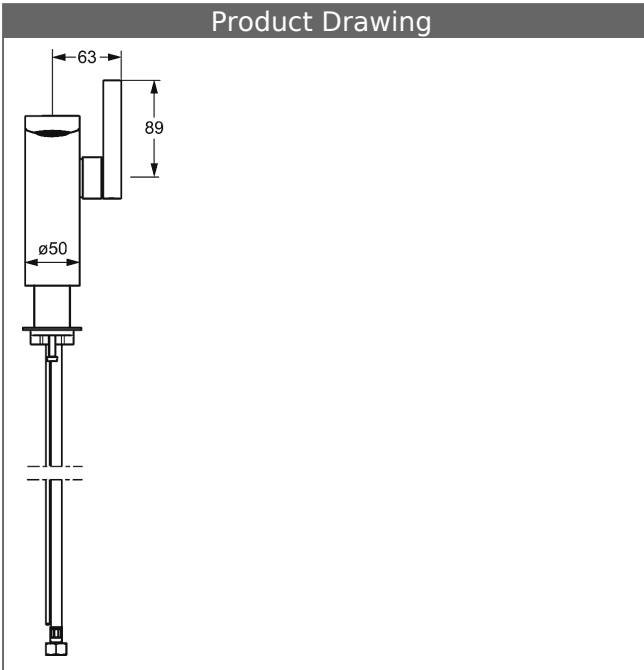
Product Image



Product Drawing



Product Drawing



Product Drawing

