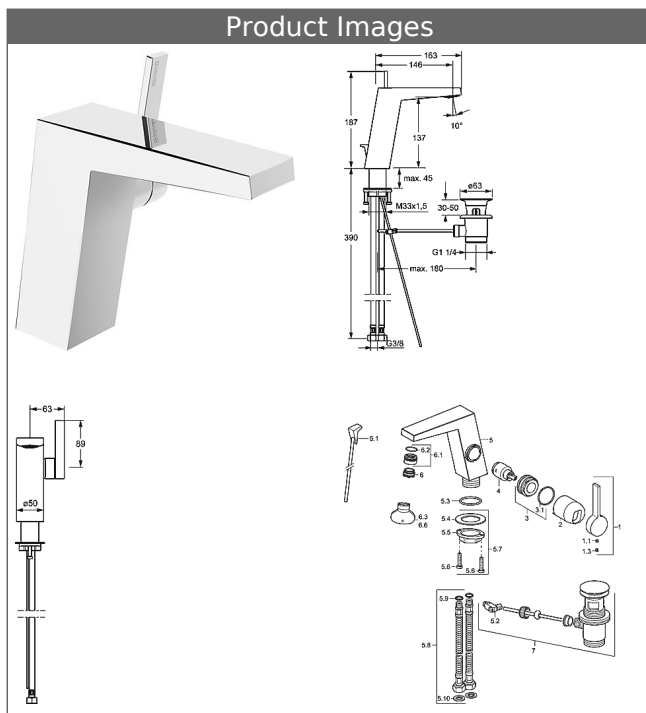


HANSALOFT one-hole single-lever basin mixer, DN 15



Description

HANSALOFT
one-hole single-lever basin mixer, DN 15


flow rate: 6 l/min, at 3 bar hydraulic pressure

- body: DR brass (MS 63)
- operating lever (metal)
- (-) side operation
- CACHÉ® flow straightener with fitting wrench
- (-) improved limescale protection with the HONEYCOMB® structure
- (-) swivel
- pop-up waste (metal) and draw-rod
- rapid installation system
- connection with flexible hoses G 3/8 (-) DVGW W270 approved

spout: fixed
projection: 146 mm

HANSA cartridge 2.5
Item No.: 59913914
Qty: 1
(-) ceramic discs

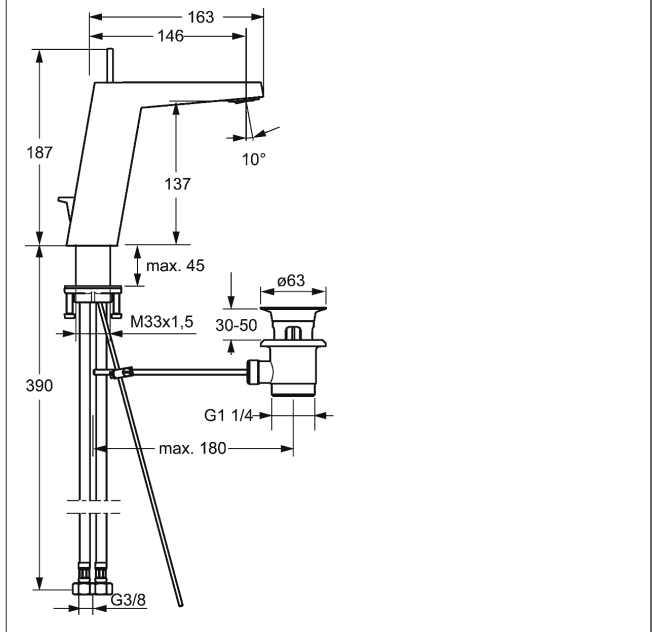
HANSA cartridge 2.5
Item No.: 59913914
Qty: 1
(-) ceramic discs

Model	Item No.	
chrome	57552203	

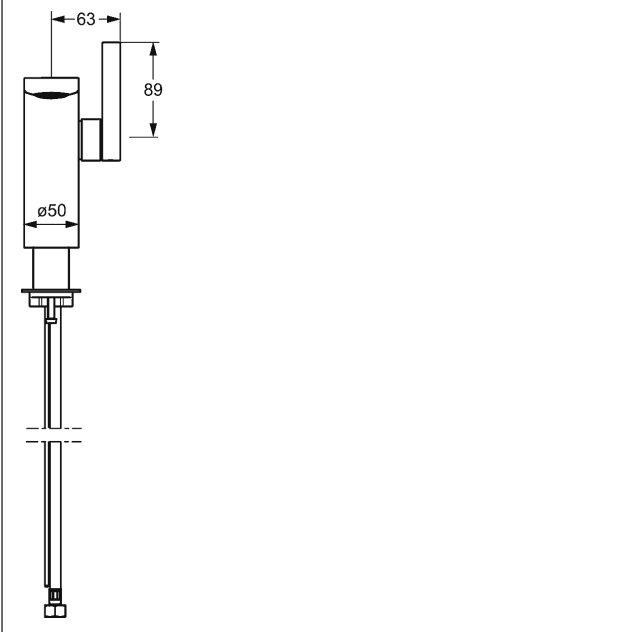
Product Image



Product Drawing



Product Drawing



Product Drawing

