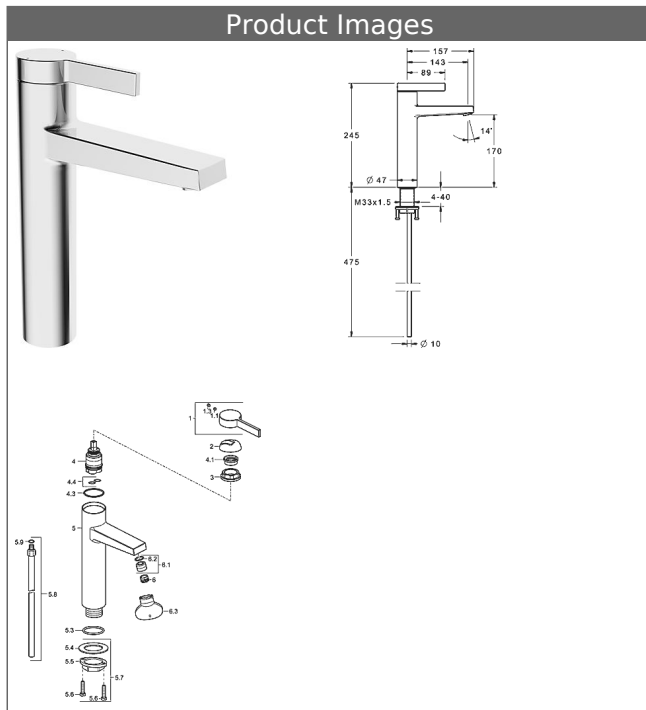


HANSALOFT one-hole single-lever basin mixer, DN 15 for flat countertop washbasins



Description

HANSALOFT
one-hole single-lever basin mixer, DN 15
for flat countertop washbasins

flow rate: 6 l/min, at 3 bar hydraulic pressure

- body: DR brass (MS 63)
- operating lever (metal)
- CACHE® flow straightener with fitting wrench
- (-) improved limescale protection with the HONEYCOMB® structure
- without pop-up waste
- without draw-rod opening
- fastening with thread collar
- connection using copper pipes

spout: fixed

projection: 114 mm

HANSA control cartridge classic 3.5

Item No.: 59913075

Qty: 1

(-) ceramic discs with integrated grease wells

(-) adjustable hot water stop

(-) volume restrictor indefinitely variable up to approx. 6 l/min

HANSA control cartridge classic 3.5


Item No.: 59913075

Qty: 1

(-) ceramic discs with integrated grease wells

(-) adjustable hot water stop

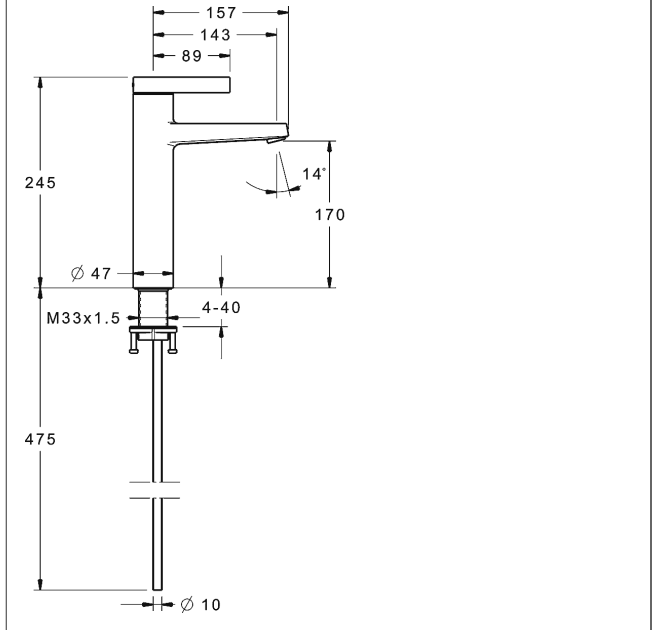
(-) volume restrictor indefinitely variable up to approx. 6 l/min

Model	Item No.	
chrome	57562103	

Product Image



Product Drawing



Product Drawing

