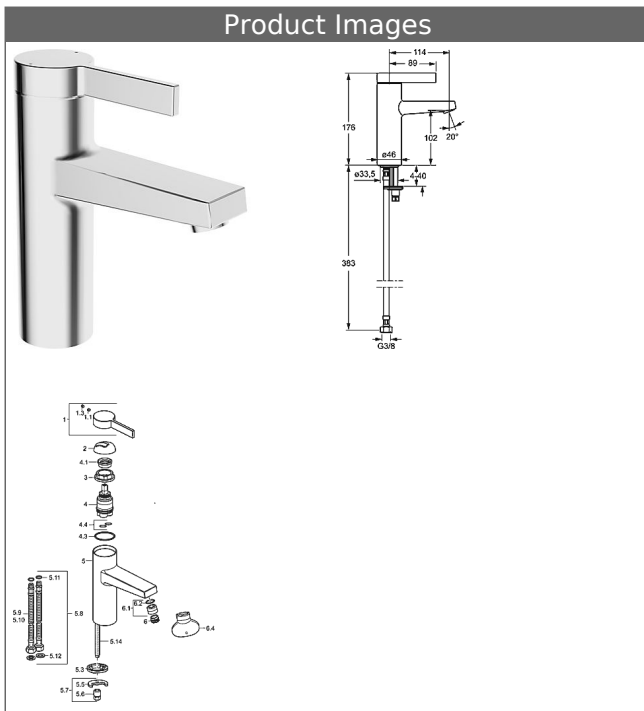


HANSALOFT one-hole single-lever basin mixer, DN 15



Description

HANSALOFT
one-hole single-lever basin mixer, DN 15

flow rate: 6 l/min, at 3 bar hydraulic pressure

- body: DR brass (MS 63)
- operating lever (metal)
- CACHE® flow straightener with fitting wrench
- (-) improved limescale protection with the HONEYCOMB® structure
- without pop-up waste
- without draw-rod opening
- rapid installation system
- connection with flexible hoses G 3/8 (-) DVGW W270 approved

spout: fixed
projection: 114 mm

HANSA control cartridge classic 3.5

Item No.: 59913075

Qty: 1


- (-) ceramic discs with integrated grease wells
- (-) adjustable hot water stop
- (-) volume restrictor indefinitely variable up to approx. 6 l/min

HANSA control cartridge classic 3.5

Item No.: 59913075

Qty: 1

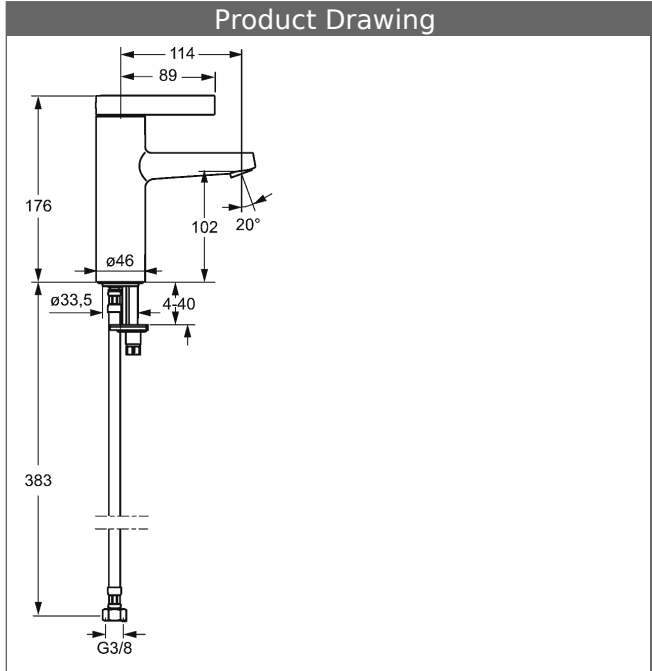
- (-) ceramic discs with integrated grease wells
- (-) adjustable hot water stop
- (-) volume restrictor indefinitely variable up to approx. 6 l/min

Model	Item No.	
chrome	57532203	

Product Image



Product Drawing



Product Drawing

