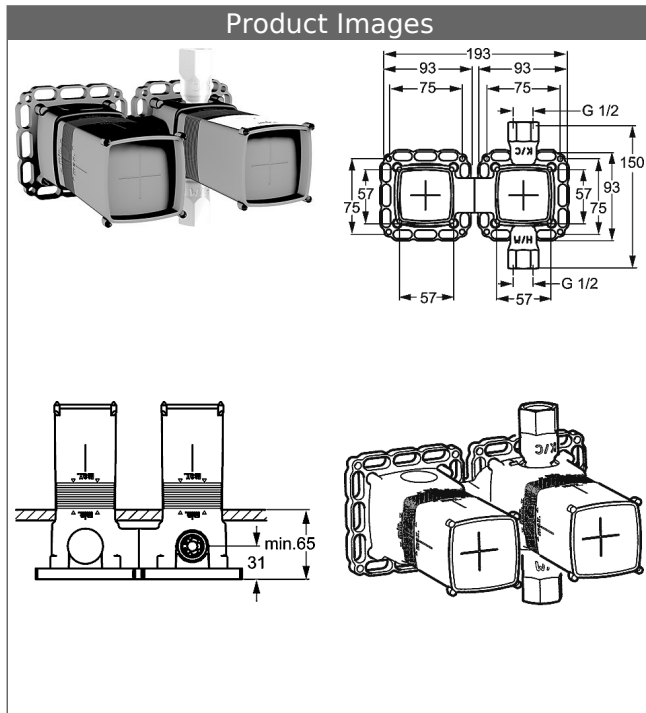


HANSAMATRIX
concealed installation unit, DN 15 (G 1/2)
single-lever faucet
forward outlet



Description

HANSAMATRIX
 concealed installation unit, DN 15 (G 1/2)
 single-lever faucet
 forward outlet

flow rate: 26 l/min, at 3 bar hydraulic pressure and without restrictors

- installation depth: 65-90 mm
- Extension of the installation depth by 5 mm by fastening on the assembly rail.
- body: DR brass (MS 63)
- mounting box and cover sleeve: plastic
- (-) with gasket sleeve
- (-) suitable for dry mortarless construction
- multifix fastening system
- all connections G1/2
- noise insulation
- protected against back-flow in domestic use (according to DIN EN 1717)
- shower outlet, by using HANSA-wall connection elbows

HANSA control cartridge classic 3.5

Item No.: 59913075

Qty: 1


- (-) ceramic discs with integrated grease wells
- (-) adjustable hot water stop
- (-) volume restrictor indefinitely variable up to approx. 6 l/min

HANSA control cartridge classic 3.5

Item No.: 59913075

Qty: 1

- (-) ceramic discs with integrated grease wells
- (-) adjustable hot water stop
- (-) volume restrictor indefinitely variable up to approx. 6 l/min

Model	Item No.
	44000000 

For the complete unit please order separately the concealed unit and the trim kit

4405 0100 assembly angle set (pack: 2 pieces) to be ordered on demand

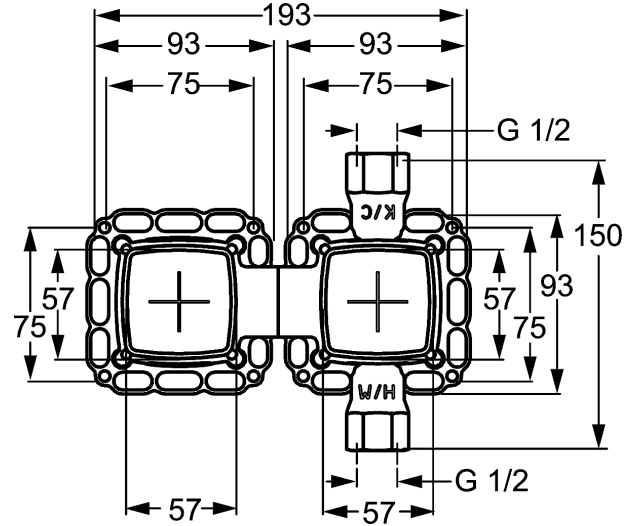
rinse according to DIN EN 806-4



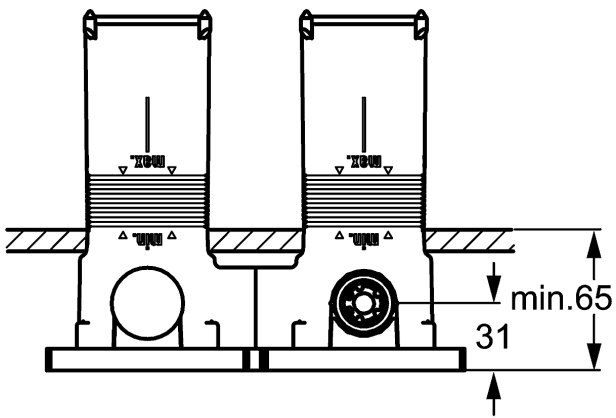
Product Image



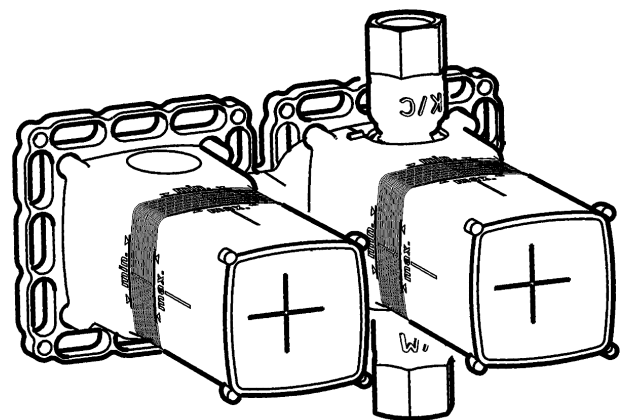
Product Drawing



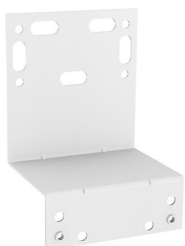
Product Drawing



Product Drawing



Related Products

Image:	Description:	Model / Item No.:
	<p>HANSAMATRIX assembly angle -set</p> <p>for exact and easy installation of the concealed installation unit and mounting rail</p>	44050100