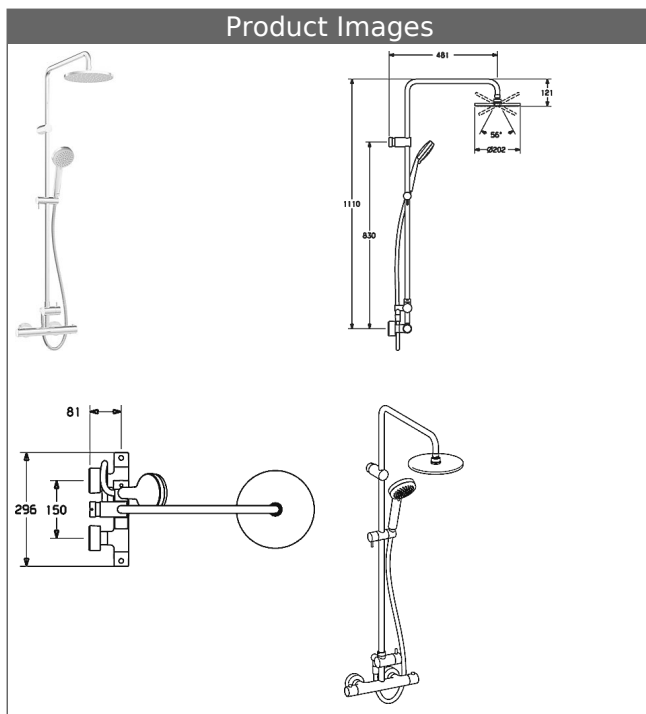


HANSAUNITA
thermostatic shower mixer, DN 15 (G 1/2)
 for wall-mounting
 with protection against scalding
 with shower system directly connected



Description

HANSAUNITA
 thermostatic shower mixer, DN 15 (G 1/2)
 for wall-mounting
 with protection against scalding
 with shower system directly connected

PA-IX 19655/IBO
 flow rate: 12 l/min, at 3 bar hydraulic pressure

- body: DR brass (MS 63)
- THERMO COOL - function
- operating handles
- safety stop against scalding at 38°C
- retrofittable temperature limiter at approximately 38 °C
- hidden eccentric connections
- (-) centre distance: 150 ± 15 mm
- strainer and backflow preventer in connections
- protected against back-flow in domestic use (according to DIN EN 1717)
- HANSAVIVA shower system
- HANSAVIVA headshower Ø 202 mm
- HANSAVIVA hand shower, 100 mm
- (-) 3-spray
- (-) strainer
- shower hose, 1250 mm
- solid-metal wall bar
- water-bearing shower rail Ø 21 mm
- slide: swivelling
- height adjustment lockable
- shower bracket: adjustable
- solid-metal diverter with ceramic disc headpart
- wall fastening set
- wall distance adjustable (68 mm-95 mm)

HANSA 2.7 thermostat cartridge without volume control

Item No.: 59913823

Qty: 1

(-) strainer

(-) with wax element

(-) not rising spindle

suitable for thermal disinfection DVGW W 551 with non-assembled temperature locking

HANSA 2.7 thermostat cartridge without volume control

Item No.: 59913823

Qty: 1

(-) strainer

(-) with wax element

(-) not rising spindle

suitable for thermal disinfection DVGW W 551 with non-assembled temperature locking

Model

Item No.



