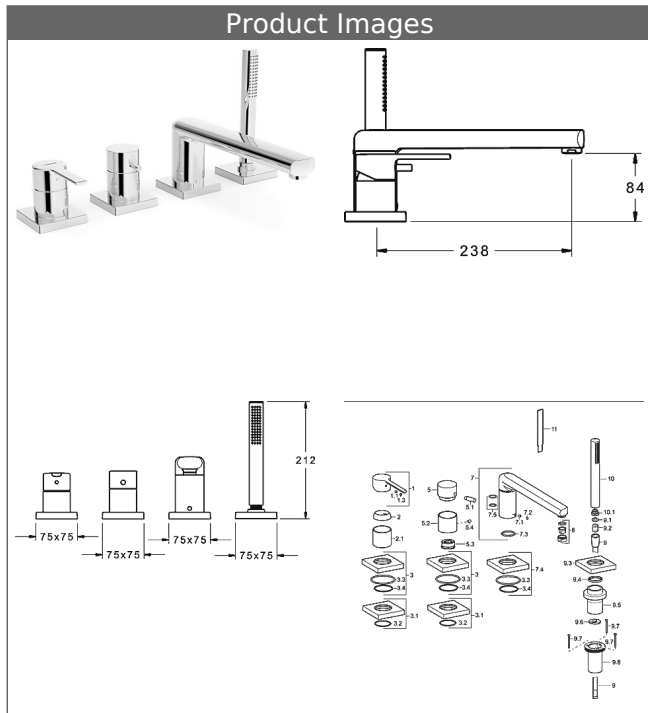


HANSARONDA trim kit single-lever mixer for all 4-hole installation units angled rosette




Description

HANSARONDA
trim kit single-lever mixer
for all 4-hole installation units
angled rosette

P-IX (submitted)
flow rate: 20/13 l/min (spout/shower), at 3 bar hydraulic pressure

- consisting of:
- single-lever mixer - control parts and trim kit
- (-) DR brass (MS 63)
- HANSARONDA pillar spout
- HANSASTILO hand shower
- (-) 1-spray
- (-) strainer
- shower hose, 1750 mm, silver-grey
- (-) exchangeable via tiles

projection: 240 mm

Model	Item No.
chrome	03402083 

suitable for installation unit 5302/5304/5308

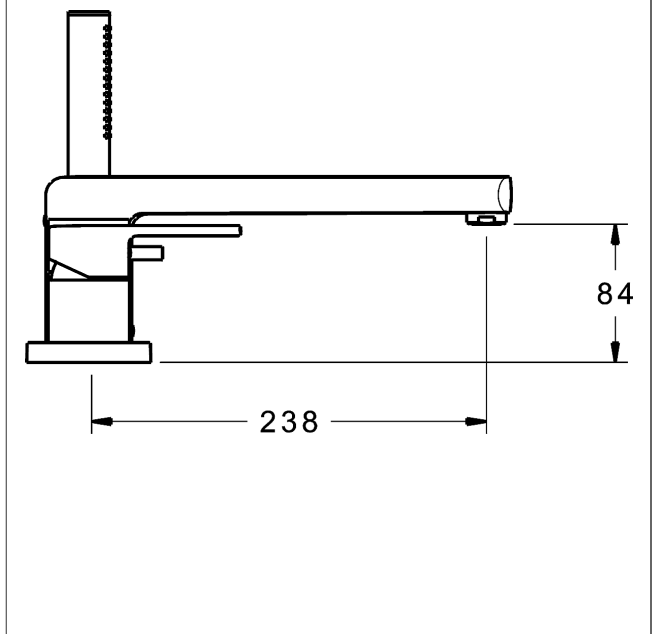
For the complete unit please order separately trim kit and concealed base unit



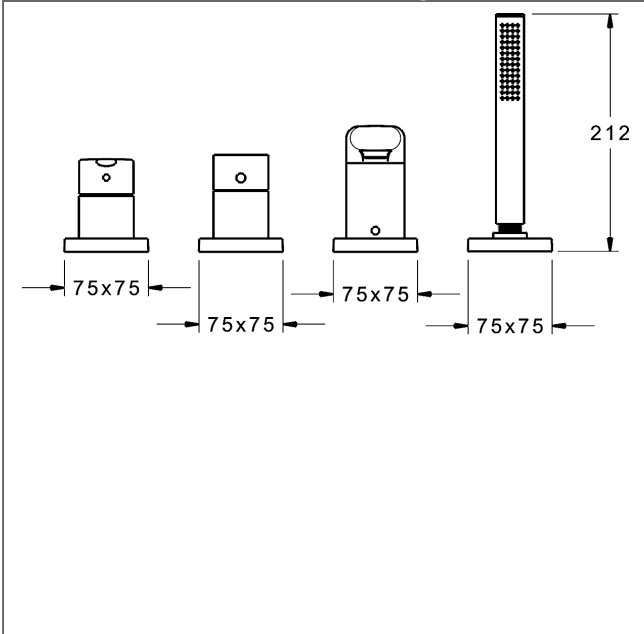
Product Image



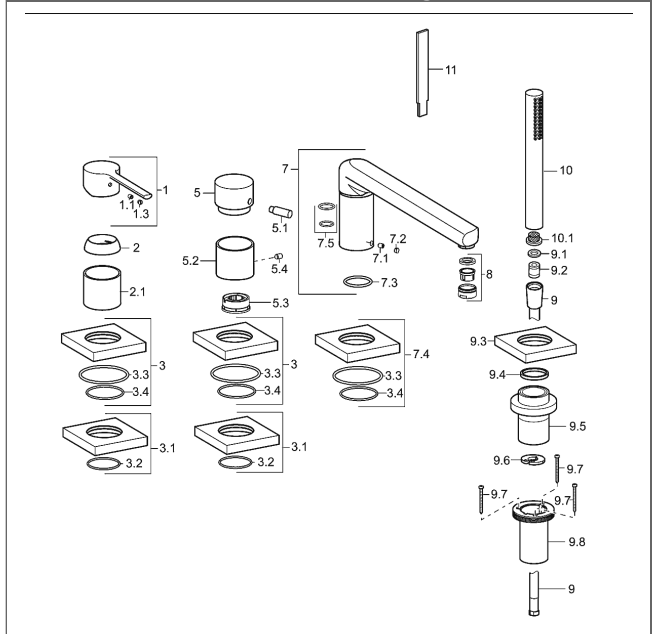
Product Drawing



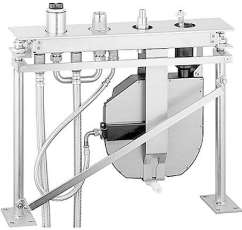
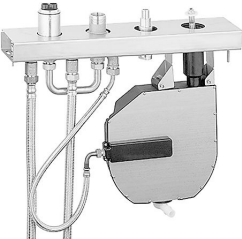
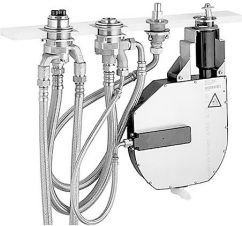

Product Drawing



Product Drawing



Related Products

Image:	Description:	Model / Item No.:
	<p>HANSACOMPACT 4-hole rim-mounted installation unit for pillar spout, DN 20 for pillar mounting</p> <p>installation depth: continuously adjustable from 495-650 mm with flexible hose G 3/4 x G 3/4, 1000 mm can be assembled with all 4-hole trim kits</p>	<p>chrome 53020200</p>
	<p>HANSACOMPACT wall-mounted and renovation unit for 4-hole tiled rim assembly with installation unit, DN 20 for pillar spout, DN 20</p> <p>with connection hoses G 3/4 can be assembled with all 4-hole trim kits</p>	<p>chrome 53080200</p>
	<p>HANSA 4-hole rim-mounted installation unit, DN 20</p> <p>with flexible connecting hoses G 3/4 can be assembled with all 4-hole trim kits</p>	<p>chrome 53040200</p>
	<p>decorative plate for HANSACOMPACT 4-hole wall and renovation solution 5308</p>	<p>chrome 53230000</p>